

High temperature couplings

11-012

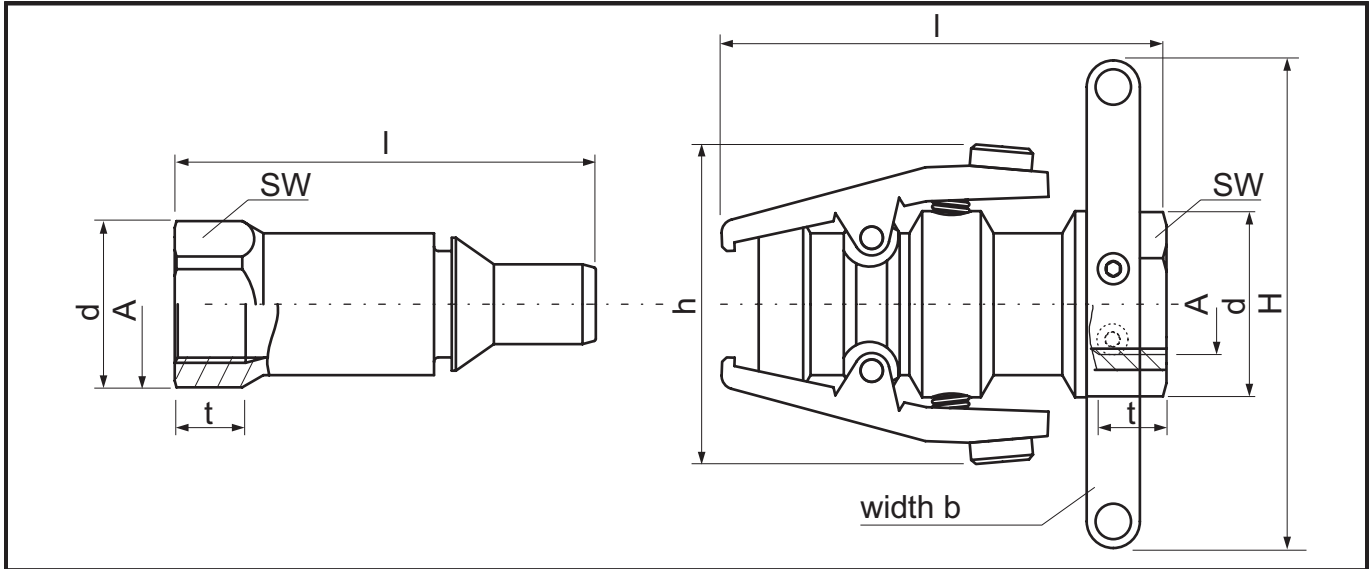
11-019



WALTHER-high-temperature-couplings for thermal oil up to 310°C (590°F)

Description:

- squirt-free high temperature coupling with automatic lock through double pawl lock
- suitable for heat conduction equipment
- the hand grips and the unlocking clamps are PTFE-protected



WALTHER-PRÄZISION • WKa rev. 10/2006 • subjekt to alterations

DN 12	part number	* connection A	d	SW	l	t	h	b	H	Maximum working pressure in PSI	
										coupled	uncoupled
Self sealing coupling with handgrip	11-012-0-WR526-AAAG-HG	3/4 BSPP female to DIN 3852 form x	42	36	100,4	16	72	54	110	653 psi / 45 bar	
Self sealing coupling with handgrip	11-012-0-WR526-AAAH-HG		42	36	100,4	16	72	54	110		
Self sealing coupling	11-012-0-WR526-AAAG		42	36	100,4	16	72	-	-		
Self sealing coupling	11-012-0-WR526-AAAH		42	36	100,4	16	72	-	-		
Self sealing adaptor	11-012-2-WR526-AAAA		37,5	34	95	16	-	-	-		
DN 19											
Self sealing coupling with handgrip	11-019-0-WR533-AAAI-HG	1 BSPP female to DIN 3852 form x	46	41	112,4	18	86	61,4	110	363 psi / 25 bar	
Self sealing coupling with handgrip	11-019-0-WR533-AAAH-HG		46	41	112,4	18	86	61,4	110		
Self sealing coupling	11-019-0-WR533-AAAI		46	41	112,4	18	86	-	-		
Self sealing coupling	11-019-0-WR533-AAAH		46	41	112,4	18	86	-	-		
Self sealing adaptor	11-019-2-WR533-AAAA		46	41	97,5	18	-	-	-		

Materials: Steel oil burnishead
 Seals: HT-GRA-Seal combination
 Operation temperature: max. 310° C = material version AAAA, AAAG and AAAI max. 270° C = material version AAAH
 Flow rate Cv: DN 12 = 3,23; DN 19 = 6,29

*Connection A is suitable for screwed plug form A, B, E, in accordance with DIN 3852-T2 (Either Sealing through metal-seal rings DIN 7603 or without sealing edge)

WALTHER-PRÄZISION Carl Kurt Walther GmbH & Co. KG

Head office:
 Westfalenstraße 2
 42781 Haan, Germany
 Telefon: +49 (0) 21 29 567-0
 Telefax: +49 (0) 21 29 567-450

Postal address:
 Postfach 420444
 42404 Haan, Germany
 eMail: info@walther-praezision.de
 Internet: www.walther-praezision.de

