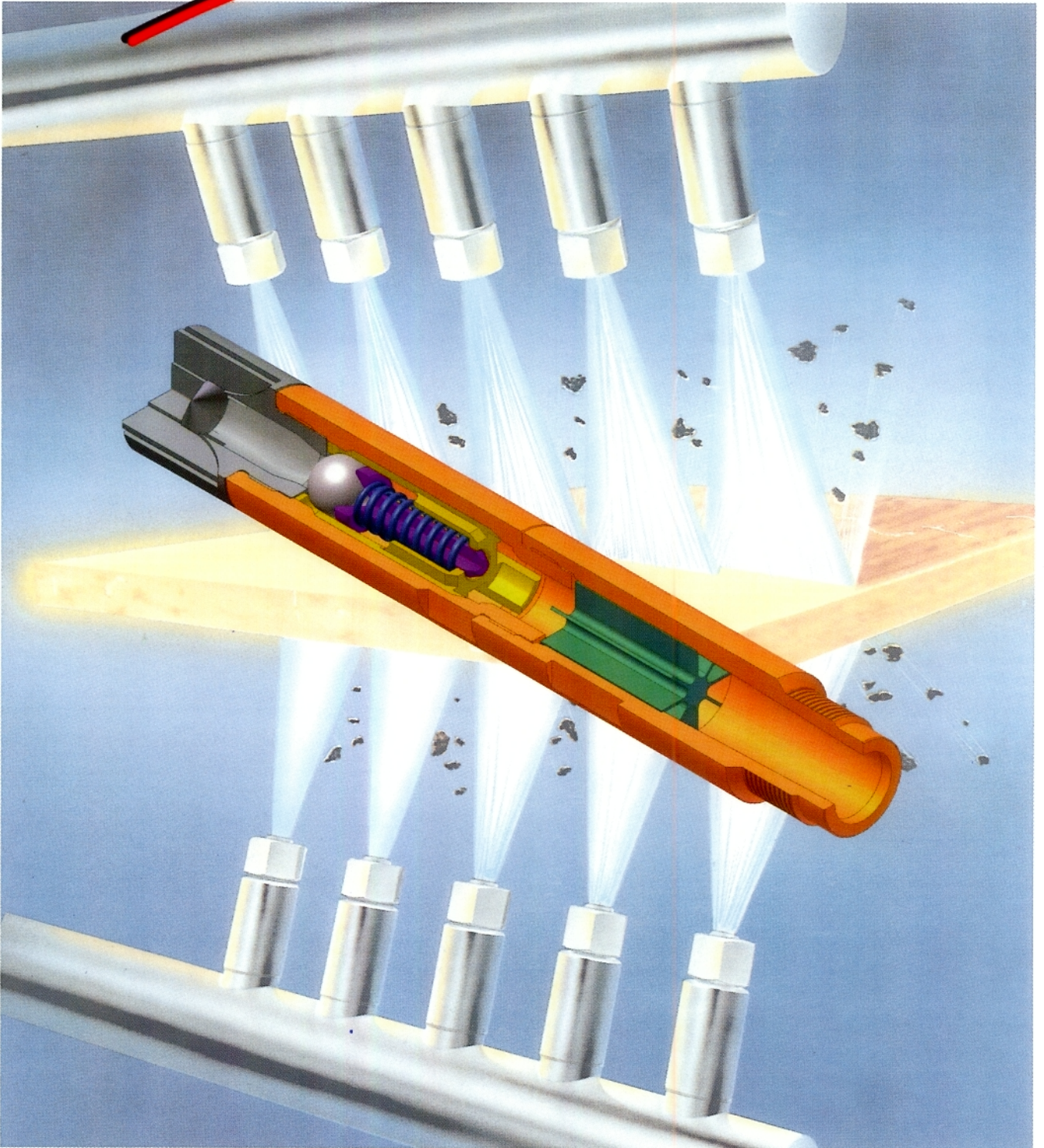




*New*

**WSV WaterStop Valve**  
for **SCALEMASTER®** Nozzles





# WSV Water Stop Valve – features and benefits

## The problem

The use of low water pressure pre-fill function is a standard feature in a modern descaling system in order to eliminate hydraulic shock (water hammers) when initiating high pressure spraying through an open header. However, the low pressure water continuously charged through the open descaling nozzles can cause undesired metallurgical effects due to the uncontrolled cooling especially when rolling critical plates (API-pipe or stainless steel grades) during a »Thermo Mechanical Control Process« (TMCP).

## The solution

The installation of the new Lechler WSV Water Stop Valve for SCALEMASTER® descaling nozzles in front of every nozzle prevents a water flow through the nozzles below a water pressure of 8 bar.

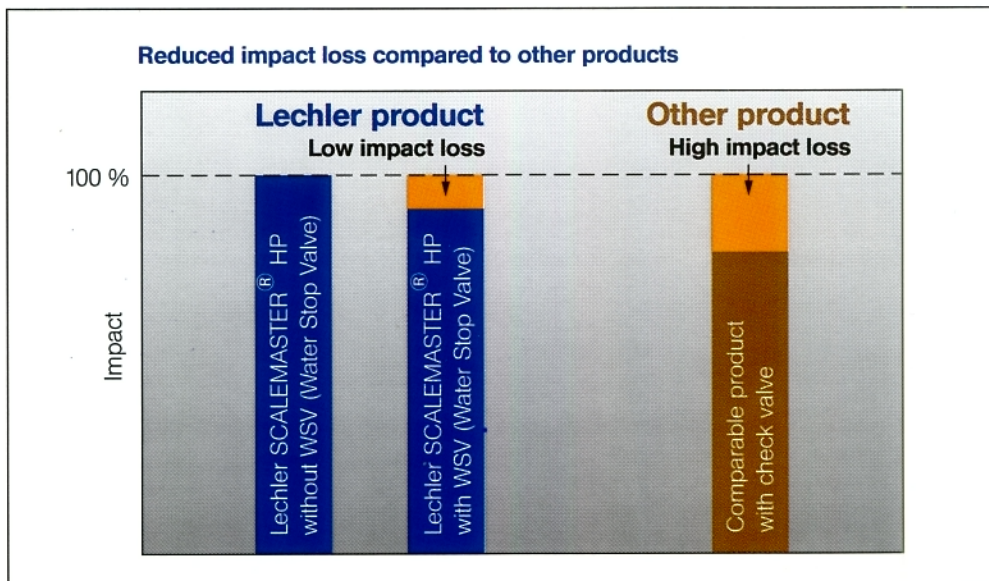
## The features

- The WSV is a check valve which is combined with the standard stabilizer unit
- Only two WSV basic versions for all SCALEMASTER® nozzle types
- Every WSV comes with a filter
- Valve and stabilizer units separate allowing to use standard stabilizers
- Material completely made from stainless steel
- Metallic sealing

## The advantages and benefits

- No significant changes of nozzle spray characteristics (width, thickness, liquid distribution)
- Very low impact loss of only approx. 13 % (with medium nozzle flow size)
- Very low water flow loss of only approx. 5 % (with medium nozzle flow size)
- No modifications of header required
- Available for nozzle series SCALEMASTER® 694, MiniSCALEMASTER® 644, SCALEMASTER® HP 682 and MiniSCALEMASTER® HP 642 types
- Very large internal free passages for clogging free operation
- Simple design, all components easy to replace
- Price advantage

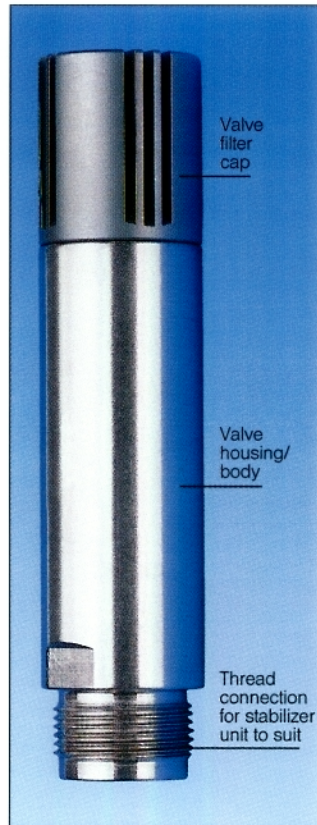
The Lechler WSV reduces the impact loss compared to other valves because of the separation of valve and stabilizer unit. This also allows larger internal free passages. The Lechler WSV is the only valve for »Mini« nozzle sizes.



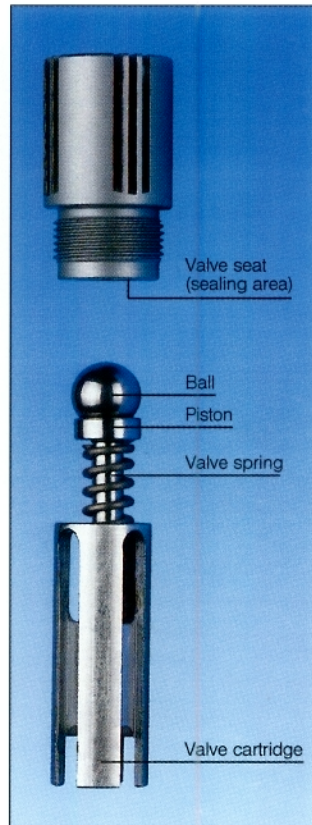
# WSV Water Stop Valve

## Technical Data

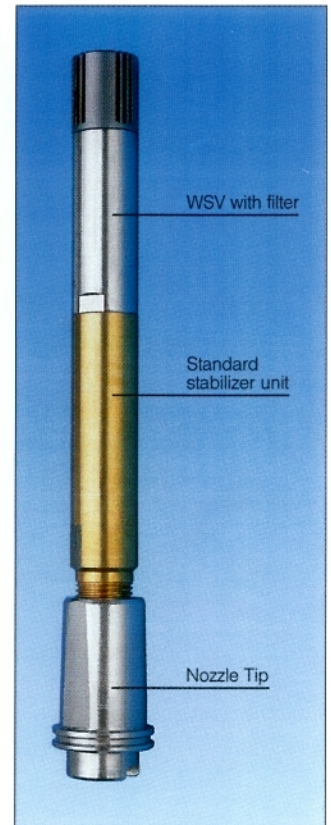
This page shows the components and basic technical data of the WSV Water Stop Valve. For further information please do not hesitate to contact us.



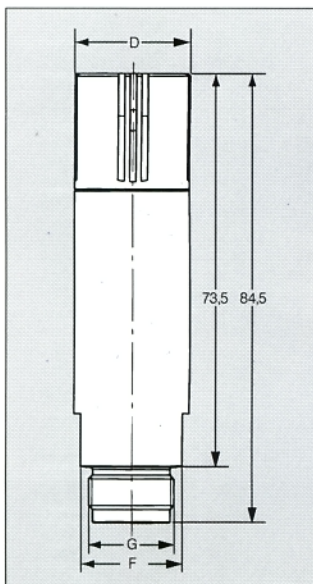
WSV Water Stop Valve



WSV Water Stop Valve, components



WSV Water Stop Valve, mounted with standard stabilizer and nozzle



### Technical Data

For nozzle series	Ordering number	D [mm]	F	G	Weight [g]	Filter slit width [mm]	Opening pressure [mm]	Closing pressure [bar]
642, 644, 682	064.420.1E	18,5	17	M16x1	87	1,2	approx. 10	approx. 8
694	069.420.1E	21,5	19	M18x1	117	1,2	approx. 10	approx. 8

### Materials

Component	Material
Valve filter cap	1.4435
Valve ball	1.3541
Piston	1.4435
Valve spring	1.4310
Valve cartridge	1.4435
Valve housing	1.4435

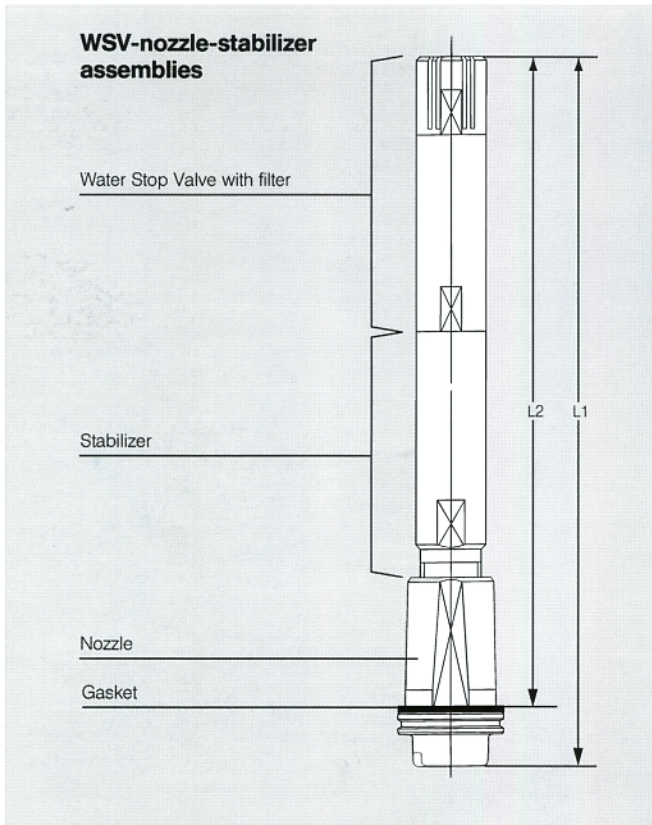


**WSV Water Stop Valve  
Assembly with stabilizer and  
SCALEMASTER® nozzles**



Lechler GmbH  
Precision Nozzles · Nozzle Systems  
P.O. Box 13 23  
72544 Metzingen / Germany  
Phone: +49 (0) 71 23 962-0  
Fax: +49 (0) 71 23 962-333

E-Mail: [info@lechler.de](mailto:info@lechler.de)  
Internet: [www.lechler.de](http://www.lechler.de)



Nozzle series	Stabilizer only Ordering number	Stabilizer with WSV Ordering number	L1 [mm]	L2 [mm]
SCALEMASTER® 694.xxx	069.456.16	069.421.1E	167	151
SCALEMASTER®HP 682.xxx	064.256.16.01 (long) 064.256.16.00 (short)	064.222.1E (long) 064.221.1E (short)	203 183	187 167
Mini SCALEMASTER® 644.xxx	064.456.16	064.421.1E	167	152
Mini SCALEMASTER®HP 642.xxx	064.256.16.01 (long) 064.256.16.00 (short)	064.222.1E (long) 064.221.1E (short)	203 183	188 168

L  
1  
S  
G  
P  
F  
E.



**HENNLICH GmbH & Co KG**

*Düsenteknik*

A-4780-Scharding, Alfred-Kubin-Straße 9 a-c. Tel.: 07712/3163-0. Fax: 07712/3163-24, Email: [duesentechnik@hennlich.at](mailto:duesentechnik@hennlich.at), [www.hennlich.at](http://www.hennlich.at)