



Tangential-flow full cone nozzles

Bayonet quick-release system

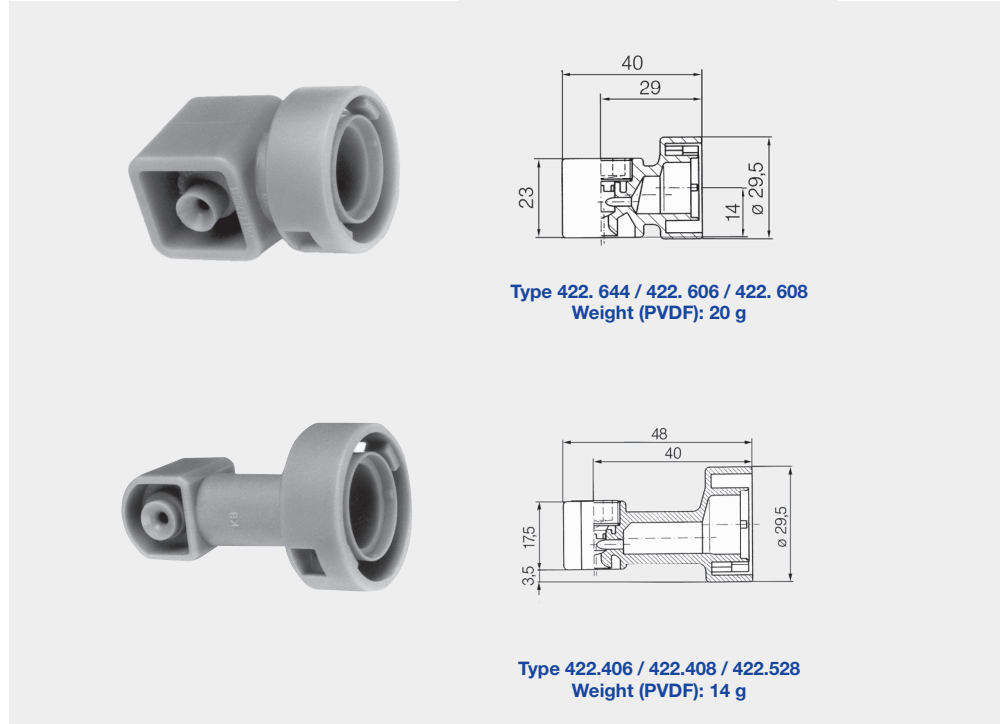
Series 422





Quick and safe assembly, without tool. Space-saving installation. Non-clogging and maintenance-free. High resistance to temperatures and chemicals.

Applications:

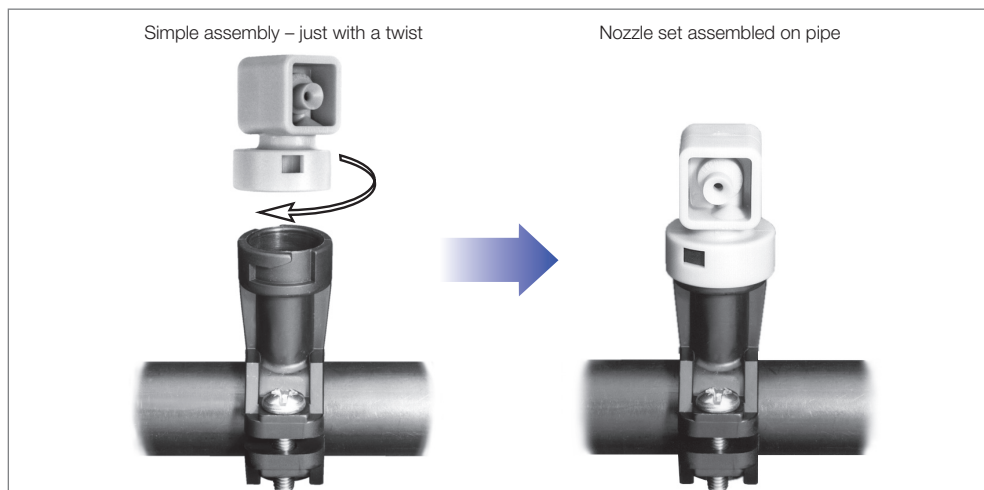
Cleaning problems, cooling process, foam control.



Full cone nozzles

Spray angle 	Ordering no.				B Ø [mm]	E Ø [mm]	V̇ [l/min]							Spray diameter D at p = 1-10 bar 	
	Type	Mat. no.		Code			p [bar]							H = 200 mm	H = 500 mm
		5E	53				0.5	1.0	2.0	US [gal/min] at 40 psi	3.0	5.0	10.0		
60°	422.644	-	○	KB	2.90	2.90	2.00	2.83	4.00	1.24	4.90	6.32	8.94	225	510
90°	422.406	○	-	KB	1.50	1.45	0.50	0.71	1.00	0.31	1.22	1.58	2.24	380	860
	422.606	○	-	KB	2.60	2.50	1.57	2.23	3.15	0.98	3.86	4.98	7.04	380	860
120°	422.408	○	-	KB	1.50	1.45	0.50	0.71	1.00	0.31	1.22	1.58	2.24	680	1220
	422.528	○	-	KB	2.10	2.00	1.00	1.41	2.00	0.62	2.45	3.16	4.47	680	1220
	422.608	○	-	KB	2.60	2.50	1.57	2.23	3.15	0.98	3.86	4.98	7.04	680	1600

B = bore diameter · E = narrowest free cross section



The folded page at the end of the catalogue will give you a survey on the various assembly possibilities. For complete assembly accessories, please refer to »Accessories«.

Conversion formula for the above series: $\dot{V}_2 = \dot{V}_1 \cdot \sqrt{\frac{p_2}{p_1}}$