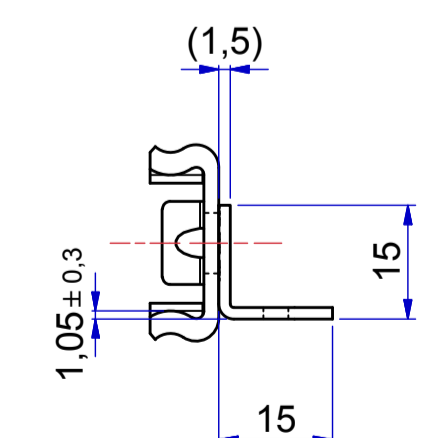
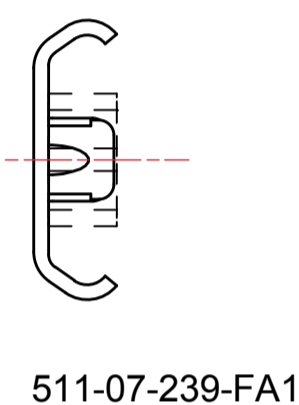
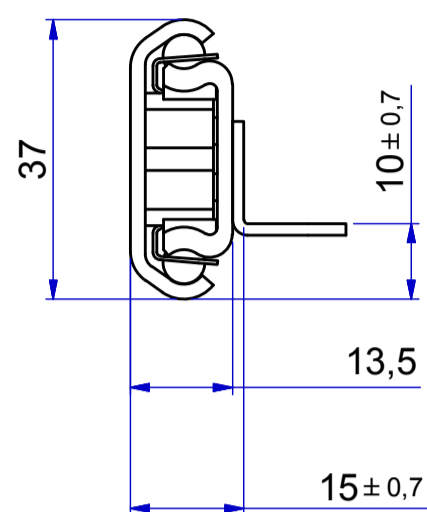
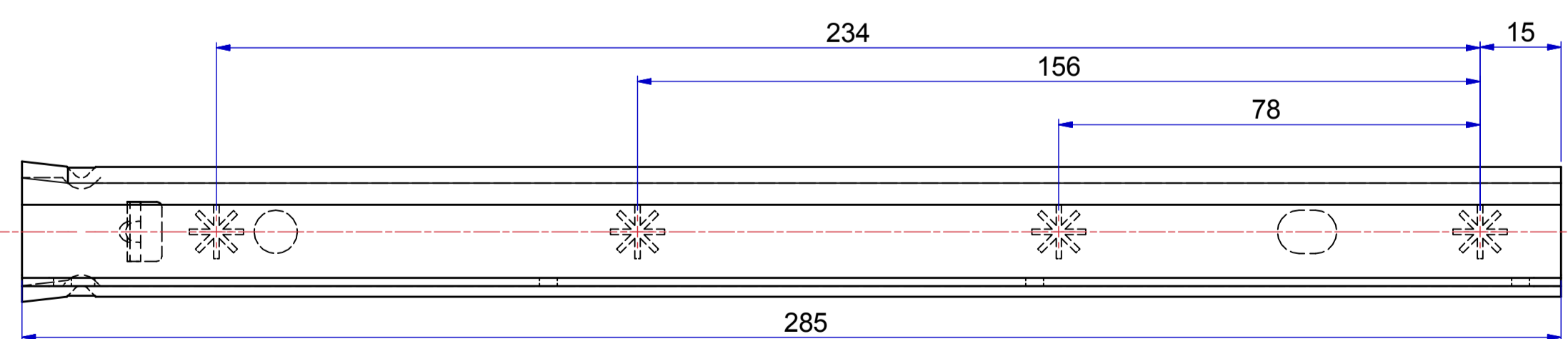
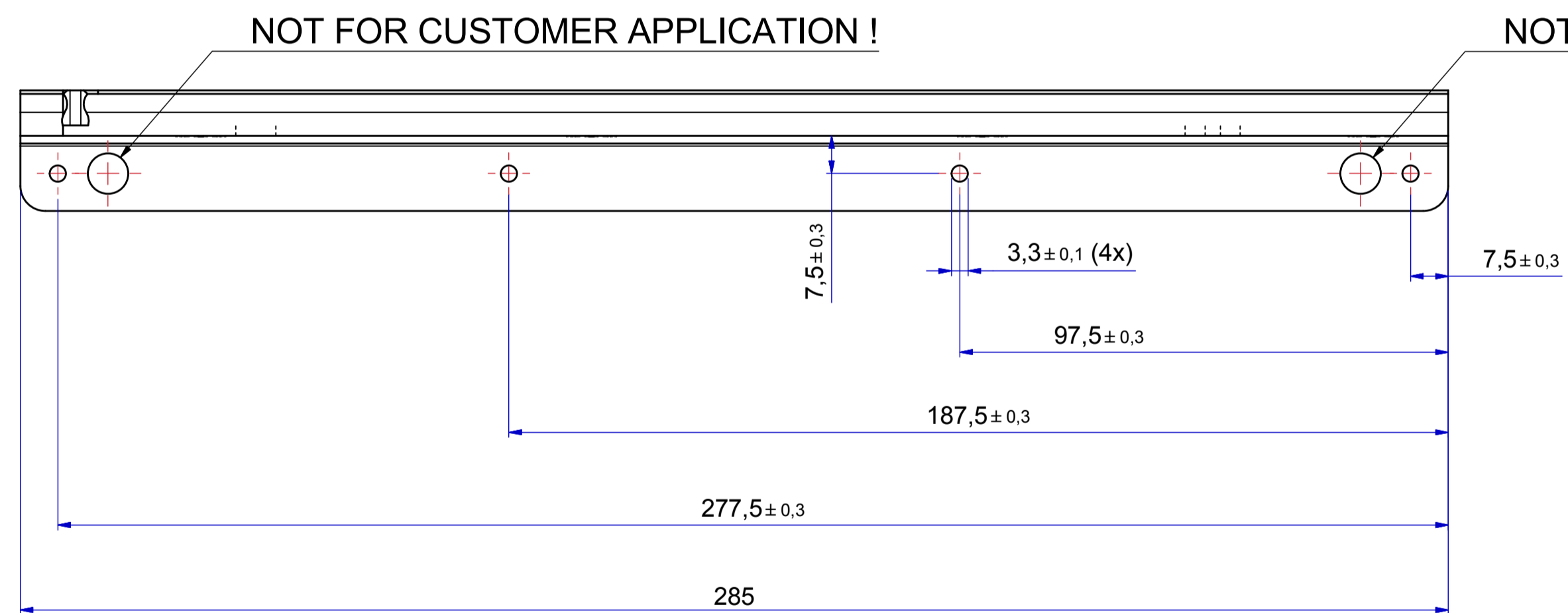
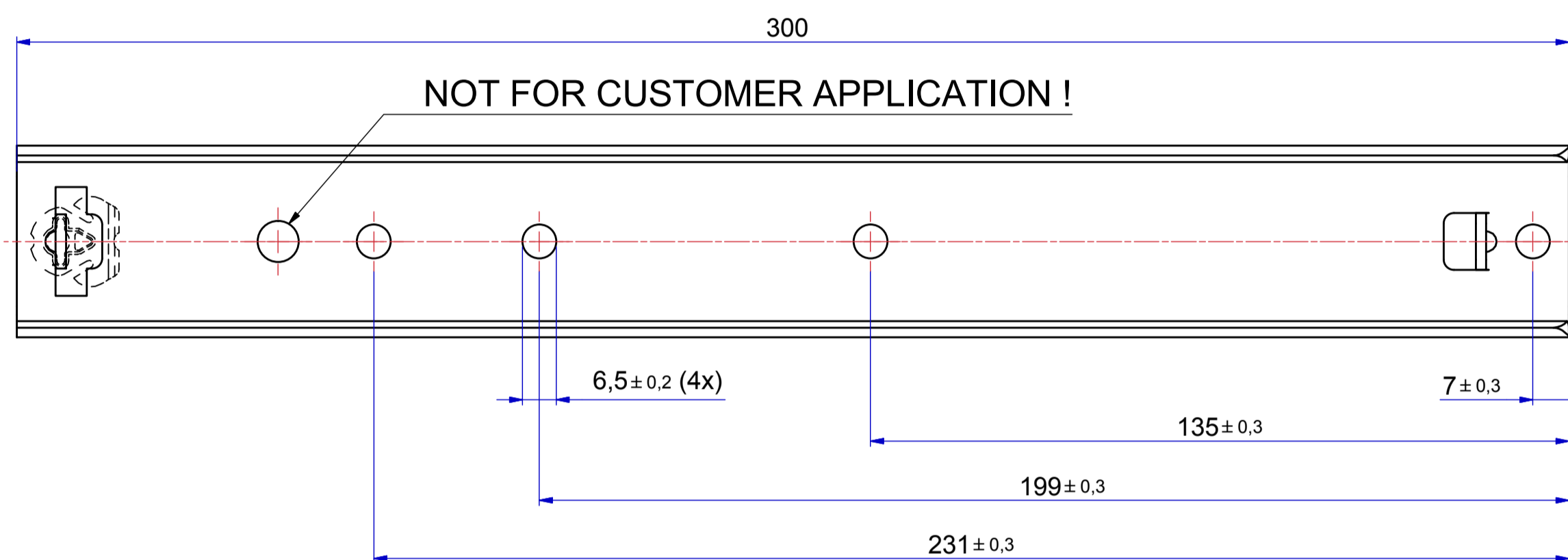
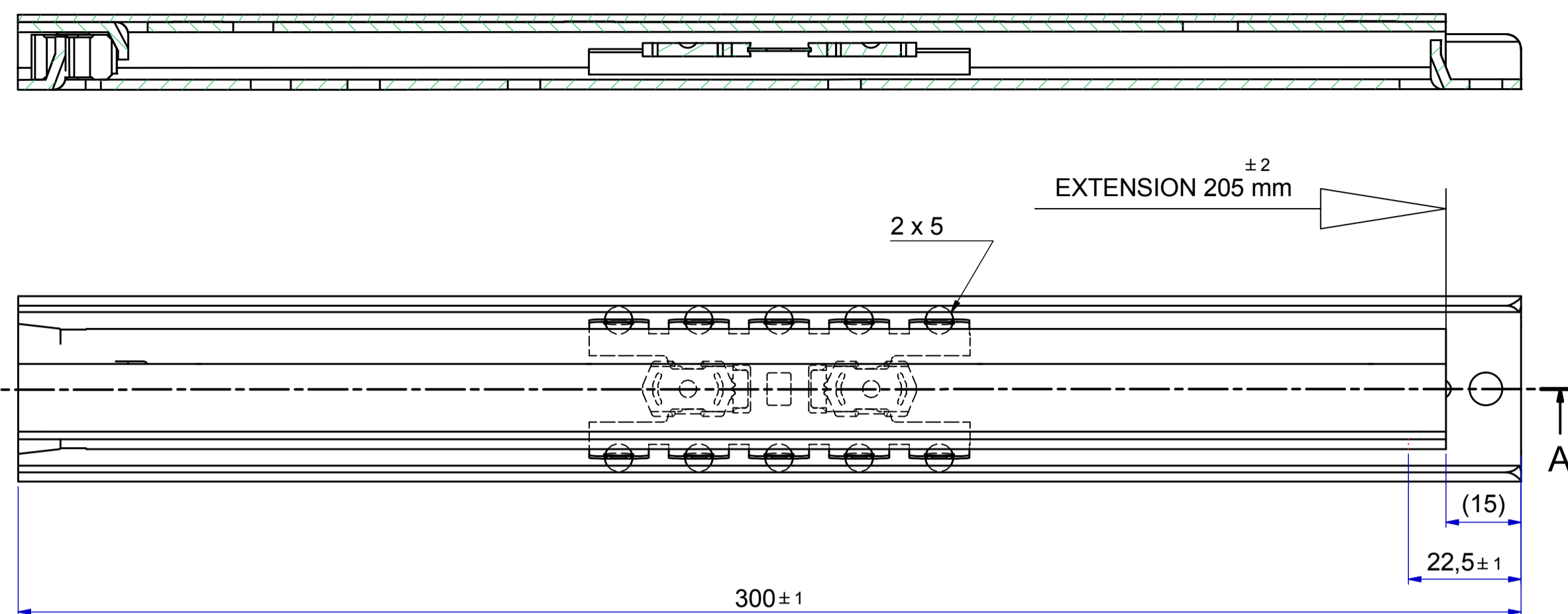


A-A (1:1)



Released for Production

Right hand slide is shown part,
Left hand slide is opposite part.

Dimensions between marks are guide dimensions.

Thomas Regout Int. B.V. reserves the right to alter
non-customer specific specifications without notice.

02	-	-	-	-	-
01	-	-	-	-	-
00	15-06-2015	GETEKEND IN INVENTOR, LASPUNTEN	-	-	W.Jans
Rev	Date	Description	Material	Draw type	Doc.No.
Designer	J.Bastings	Gen.Tol.Dim. ± 0.5	Third angle projection	Fabrication	E000032059
Date	16-6-2015	Gen.Tol.Angle ± 0.5	Treatment	Scale 1 : 1	Model No. E000032060
Approver		Gen.Roughness Ra		Type	
Date		Units mm/deg.			
Description					Released for Production
FINN 300.0 / 205.0 (13,5mm)					
Format	A1	THOMAS REGOUT INTERNATIONAL B.V.	Item No.	107-239	Revision
© THOMAS REGOUT INTERNATIONAL BV, Industrieweg 40, 6219 NR, Maastricht, The Netherlands, +31 (0)43 351 66 66					00
					All rights are reserved.