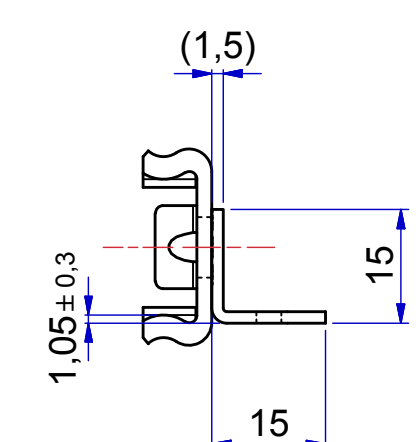
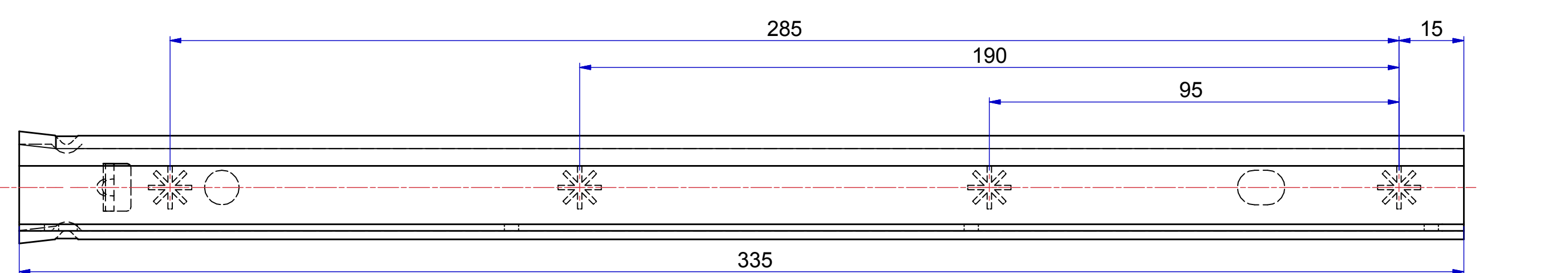
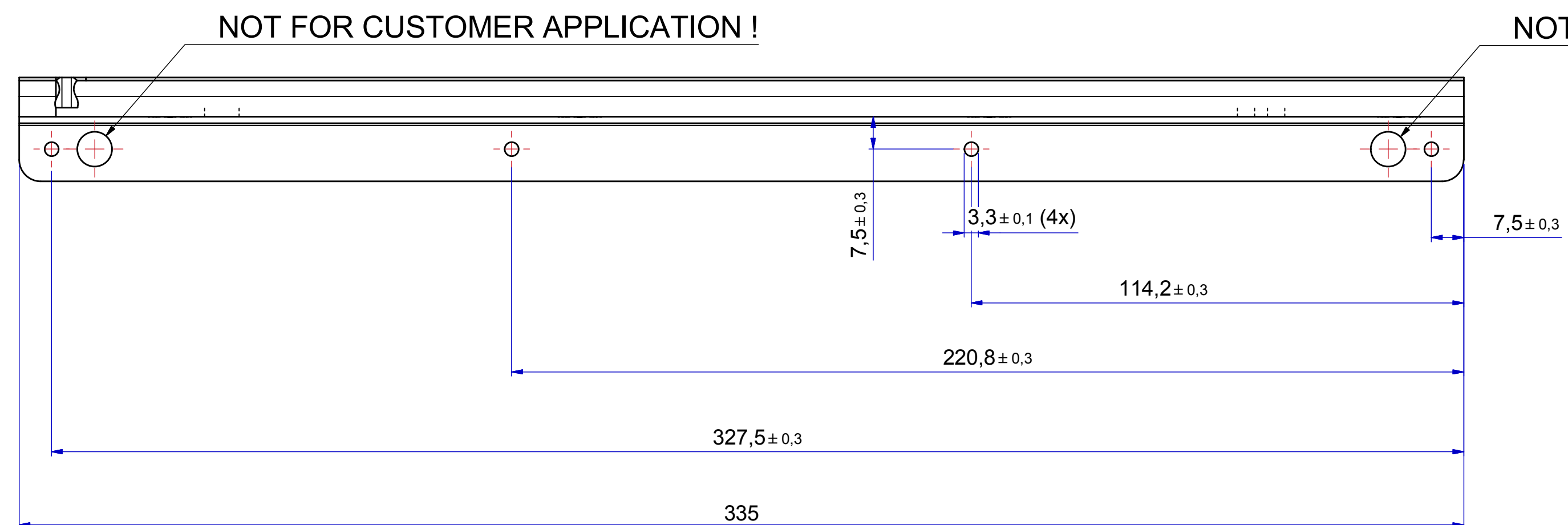
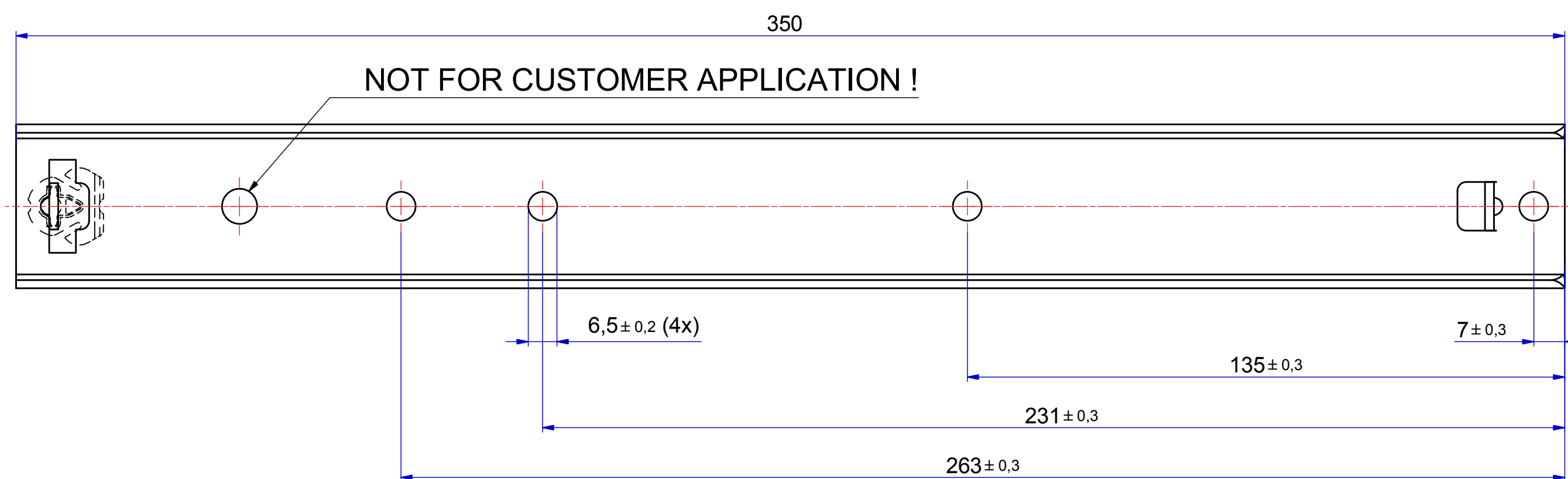
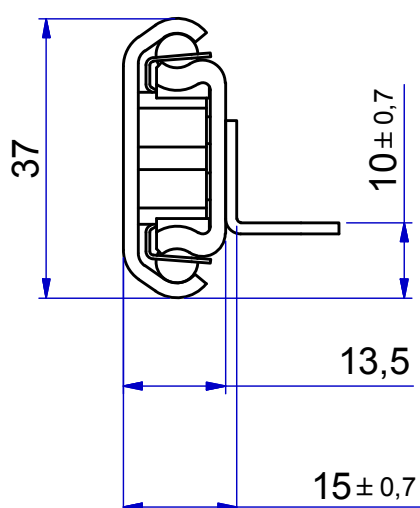
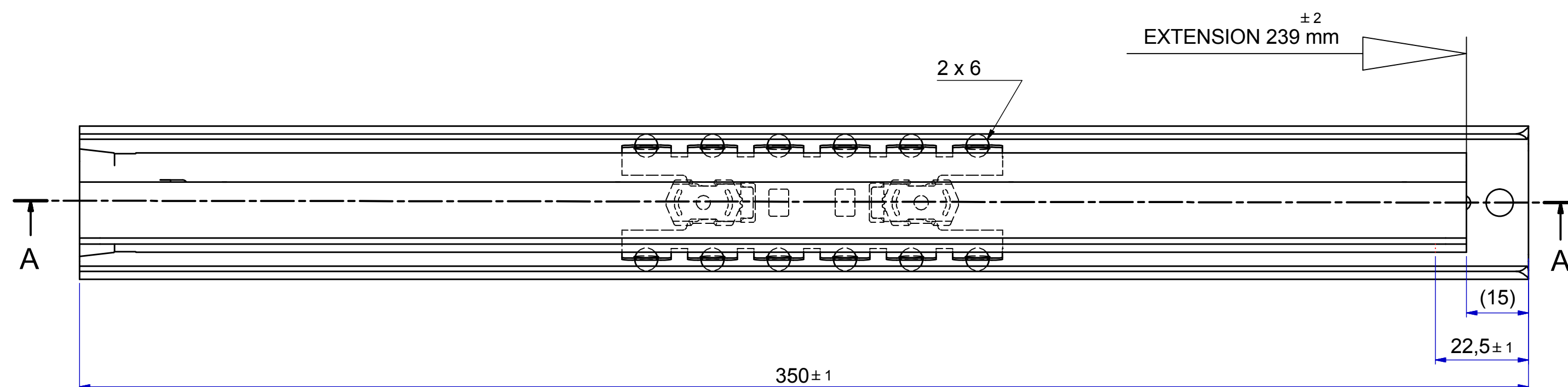
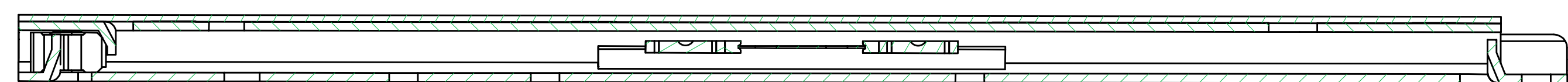


A-A (1:1)



511-07-240-FA1

513-07-240-FA2

Released for Production

Right hand slide is shown part,  
Left hand slide is opposite part.

Dimensions between marks are guide dimensions.

Thomas Regout Int. B.V. reserves the right to alter  
non-customer specific specifications without notice.

02	-	-	-	-	-
01	-	-	-	-	-
00	15-06-2015	GETEKEND IN INVENTOR, LASPUNTEN			W.Jans
Rev	Date	Description			Designer
Designer	J.Bastings	Gen.Tol.Dim.	± 0,5	Third angle projection	Material
Date	15-6-2015	Gen.Tol.Angle	± 0,5		Treatment
Approver		Gen.Roughness	Ra		Draw type Fabrication
Date		Units	mm/deg.	Scale 1 : 1	Type
Description					Model No. E000032043
FINN 350.0 / 239.0 (13,5mm)					Model No. E000032044
					Released for Production
Format	A1	THOMAS REGOUT INTERNATIONAL B.V.		Item No.	107-240
					Revision
					00
© THOMAS REGOUT INTERNATIONAL BV, Industrieweg 40, 6219 NR, Maastricht, The Netherlands, +31 (0)43 351 66 66 All rights are reserved.					