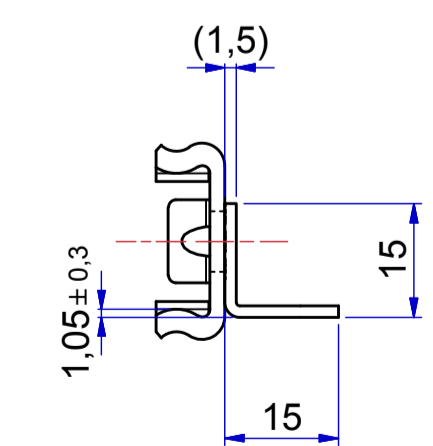
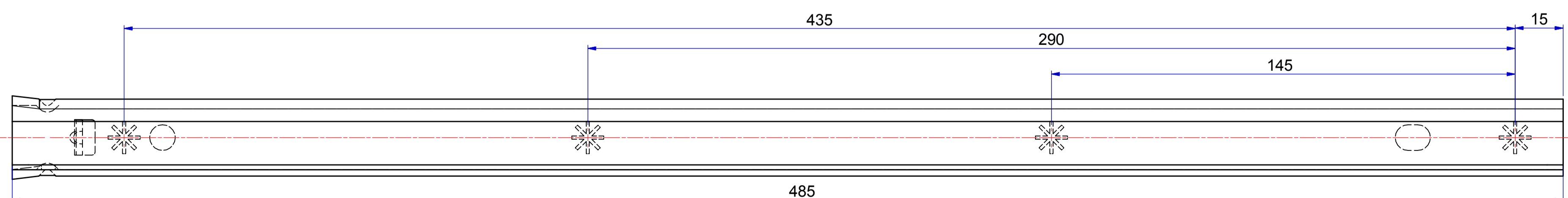
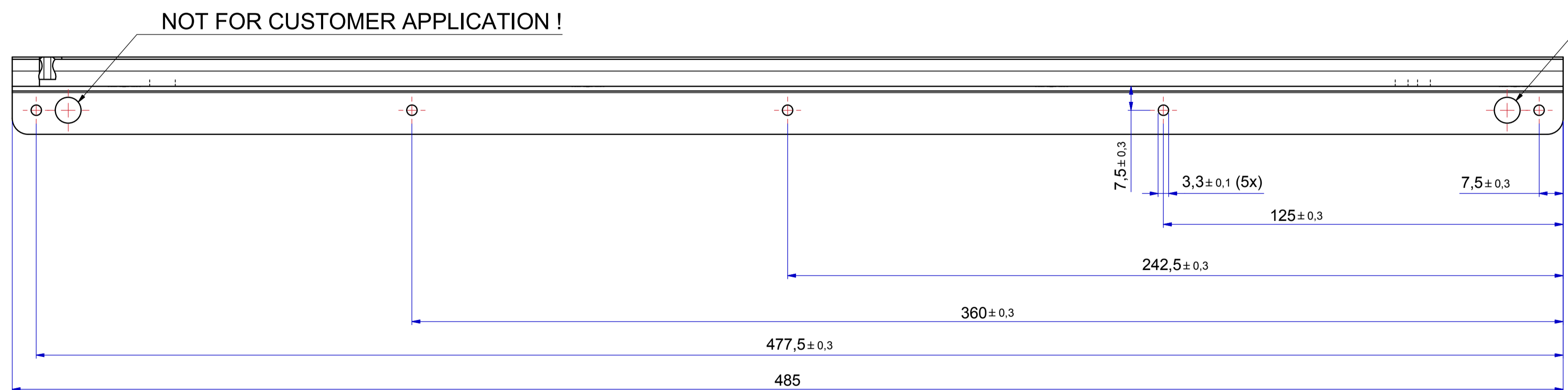
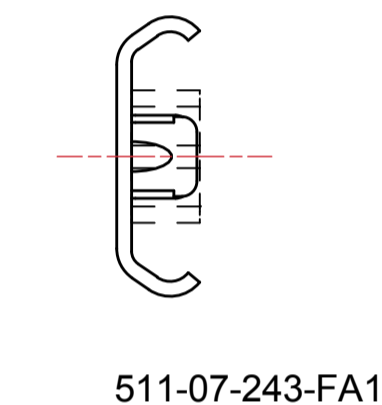
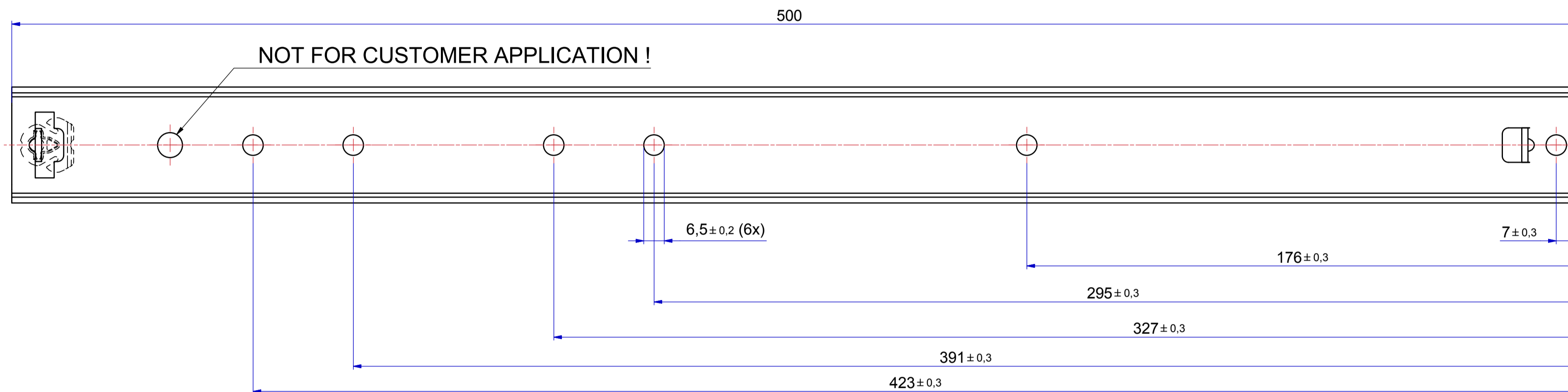
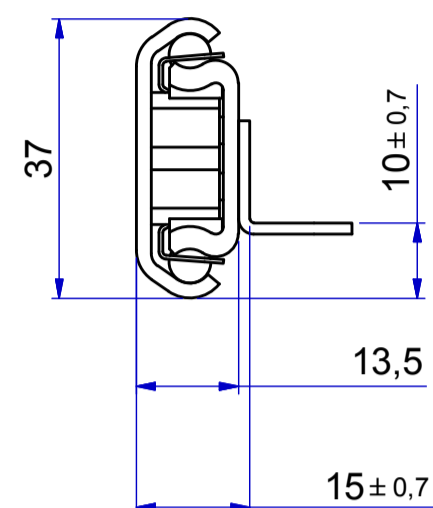
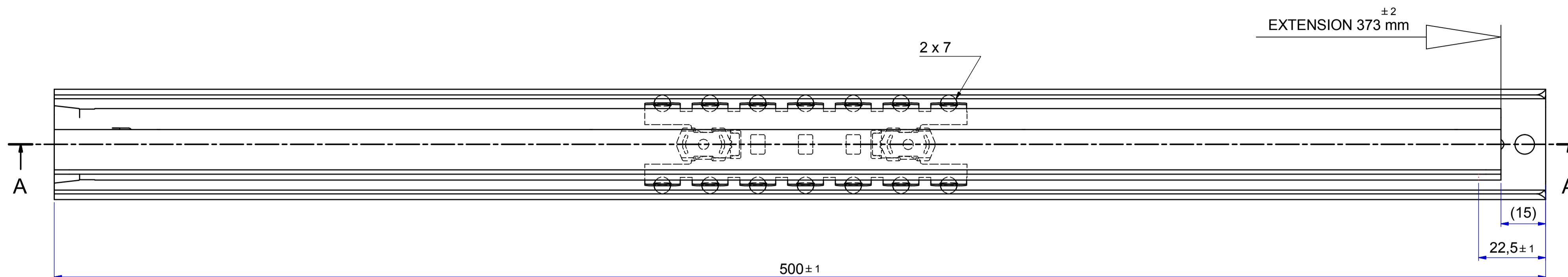
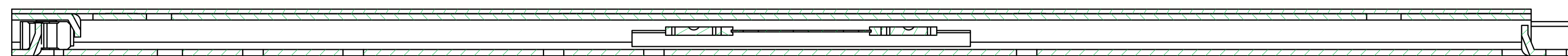


A-A (1:1)



Released for Production

Right hand slide is shown part,
Left hand slide is opposite part.

Dimensions between marks are guide dimensions.

Thomas Regout Int. B.V. reserves the right to alter
non-customer specific specifications without notice.

02	-	-	-	-	-
01	-	-	-	-	-
00	15-06-2015	GETEKEND IN INVENTOR, LASPUNTEN	-	-	W.Jans
Rev	Date	Description	Material	Draw type	Designer
Designer	J.Bastings	Gen.Tol.Dim. ± 0,5	Third angle projection	Treatment	E000031957
Date	15-6-2015	Gen.Tol.Angle ± 0,5	⊕	Draw type	Fabrication
Approver		Gen.Roughness Ra		Scale	1 : 1
Date		Units	mm/deg.	Type	Model No. E000031958
Description		FINN 500.0 / 373.0 (13,5mm)		Released for Production	
Format	A1	THOMAS REGOUT INTERNATIONAL B.V.	Item No.	107-243	Revision
© THOMAS REGOUT INTERNATIONAL BV, Industrieweg 40, 6219 NR, Maastricht, The Netherlands, +31 (0)43 351 66 66 All rights are reserved.					