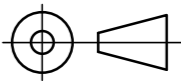



Designer R.v.S.	Gen.Tol.Dim. ± 0.5	Third angle projection 	Material S235JRG2 (1.0038) Modified	
Date 8-1-2013	Gen.Tol.Angle ± 1		Treatment Galvanized 5-7 µm	
Approver	Gen.Roughness Ra 1.6	Scale 1:2	Type	Doc.No. E000009234
Date	Units mm/deg.	Model No. E000009229		
Description FLEXFIT 1537 PROFILE 2394mm STEEL				
			Released for Production	
Format A2			Item No. 205S03	Revision 05
© THOMAS REGOUT INTERNATIONAL BV, Industrieweg 40, 6219 NR, Maastricht, The Netherlands, +31 (0)43 351 66 66 All rights are reserved.				