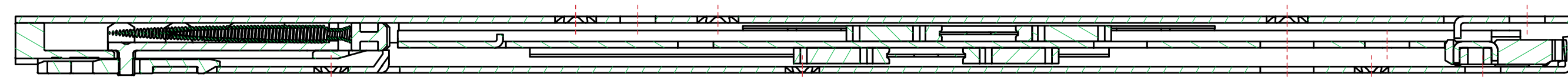
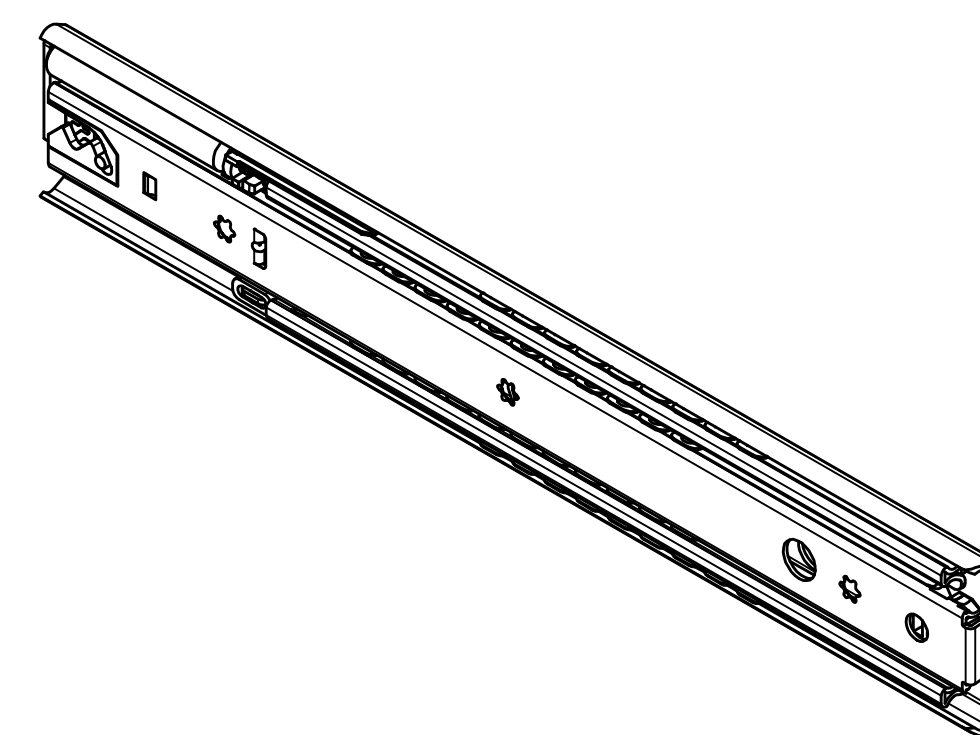


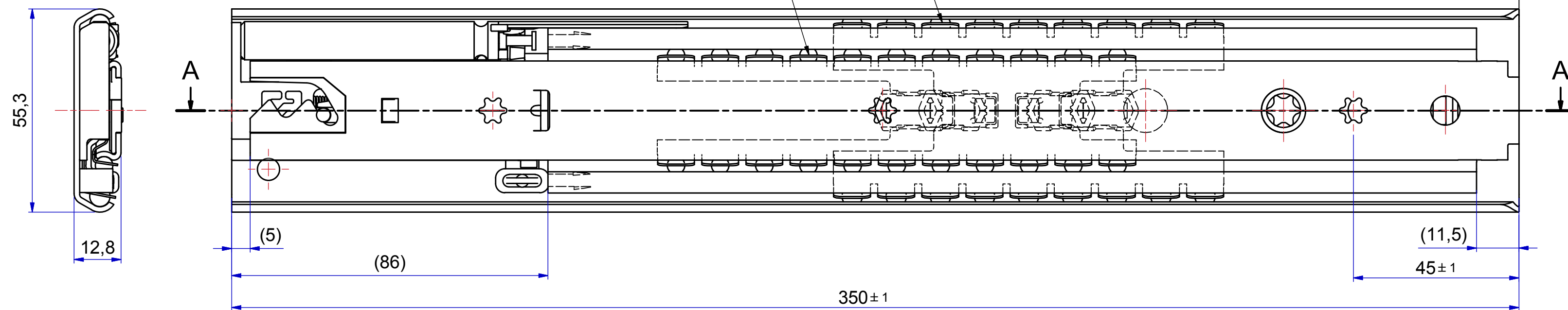
T 1 - 2 = 154,3 mm
T 2 - 3 = 177,8 mm



A-A (1:1)

EXTENSION 332 ±4

2 x 11
2 x 9

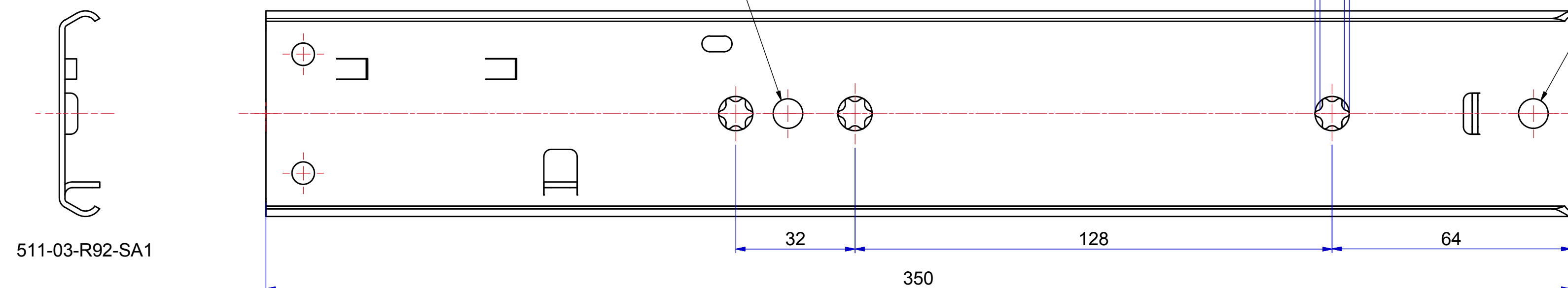


DO NOT USE FOR CUSTOMER APPLICATION!

Ø9,25 ± 0,25 (3x)

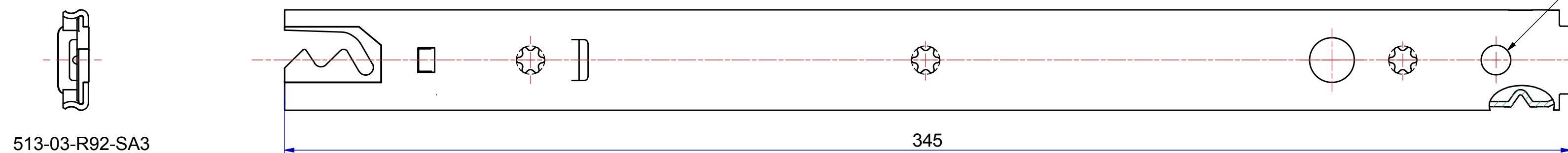
Ø6,5 (3x)

DO NOT USE FOR CUSTOMER APPLICATION!



511-03-R92-SA1

DO NOT USE FOR CUSTOMER APPLICATION!



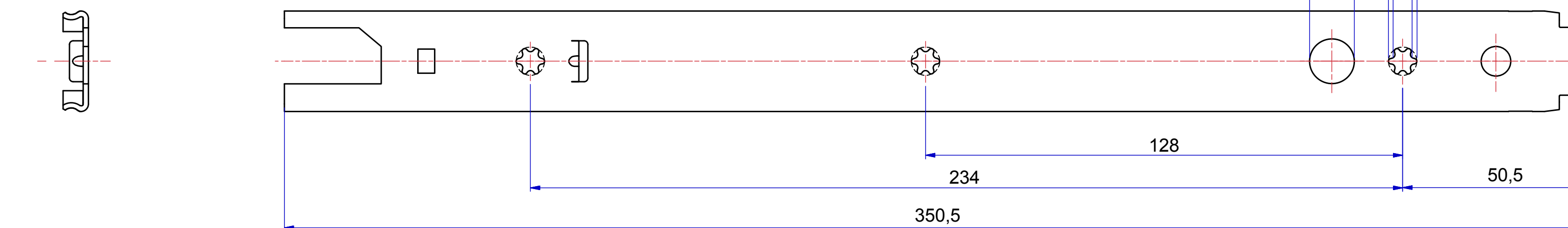
513-03-R92-SA3

Ø12

Ø7,65 ± 0,25 (3x)

Ø5,1 (3x)

DO NOT USE FOR CUSTOMER APPLICATION!



Right hand slide = Left hand slide.

Dimensions between marks are guide dimensions.

Thomas Regout Int. B.V. reserves the right to alter non-customer specific specifications without notice.

Designer M. Mahieu	Gen.Tol.Dim. ± 0,5	Third angle projection	Material
Date 30-6-2014	Gen.Tol.Angle ± 0,5		Treatment
Approver	Gen.Roughness Ra		Draw type Fabrication
Date	Units mm/deg.	Scale 1 : 1	Type Model No. E000018912

Description
SOLAR 350.0 / 332.0 (12,8mm)

Format A1	THOMAS REGOUT INTERNATIONAL B.V.	Item No. 103-R92	Revision 03
-----------	----------------------------------	------------------	-------------

© THOMAS REGOUT INTERNATIONAL BV, Industrieweg 40, 6219 NR, Maastricht, The Netherlands, +31 (0)43 351 66 66 All rights are reserved.

3	20-03-2014	SLIDE CHANGED BECAUSE REDESIGN SOFTCLOSE (POINT 13002.DOC)	M. Mahieu
2	08-09-2010	STOPSYSTEM UPDATED + HOLE 12mm ADDED	M.M
1	01-03-2010	STOPSYSTEM CHANGED CONFORM VERSION 02-2010	Jo Bastings
Re	Date	Description	Designer