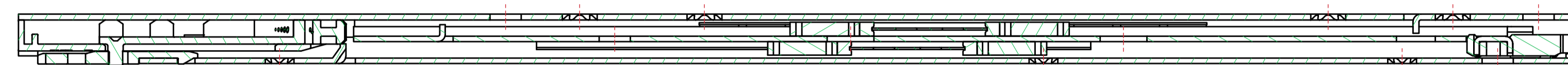
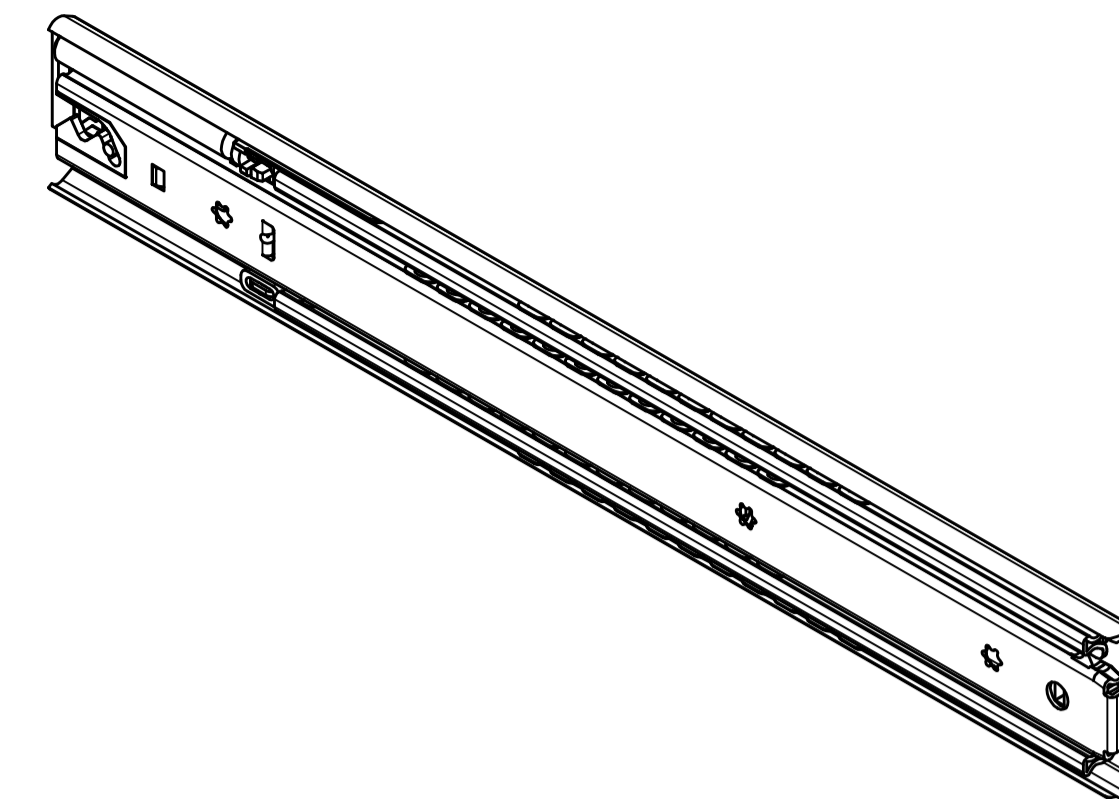
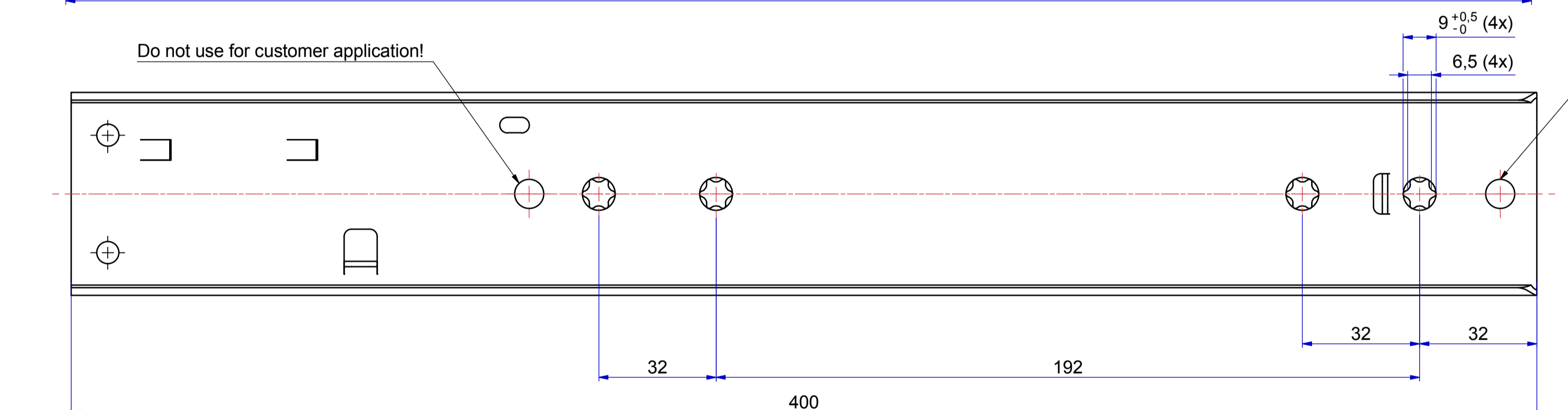
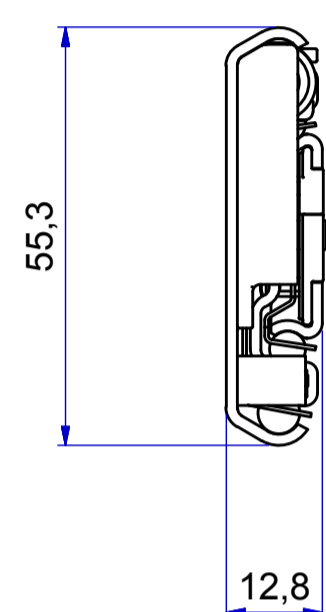
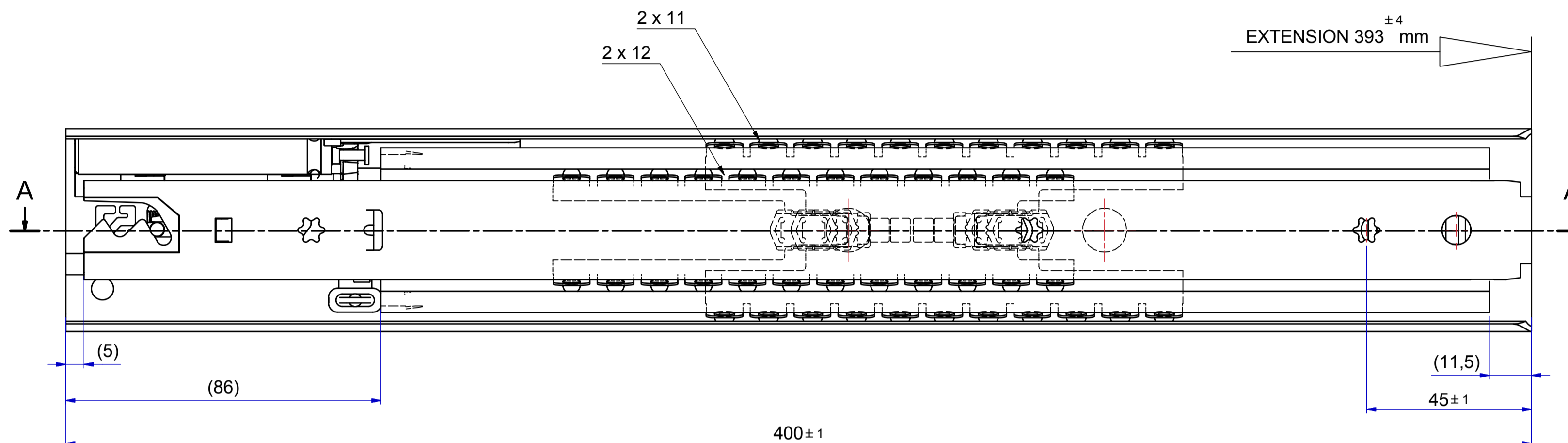


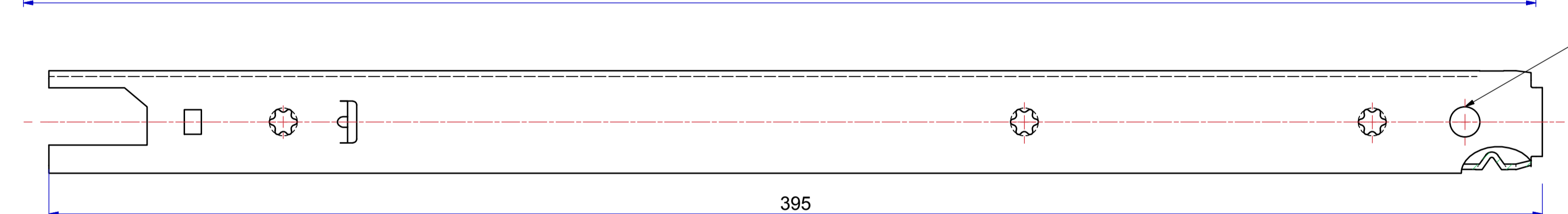
T 1 - 2 = 176,5 mm
T 2 - 3 = 216,6 mm



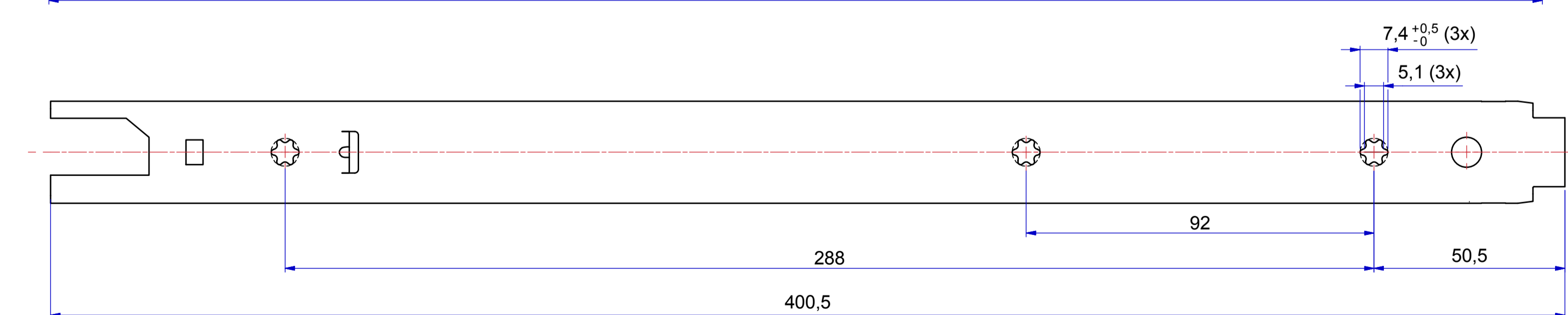
A-A (1 : 1)



511-03-R93-SA1



513-03-R93-SA3



Right hand slide = Left hand slide.

Dimensions between marks are guide dimensions.

PRODUCTION

Thomas Regout Int. B.V. reserves the right to alter non-customer specific specifications without notice.

Designer	Jo Bastings	Gen.Tol.Dim.	± 0,5	Third angle projection	Material
Date	23-08-2010	Gen.Tol.Angle	± 0,5		Treatment
Approver		Gen.Roughness	Ra		Draw type
Date	25-2-2010	Units	mm/deg.	Scale	1 : 1
Description				Type	Model No.
SOLAR 400.0 / 393.0 (12,8mm)				Released for Production	E000017670
Format	A1	Item No.	103-R93	Revision	03
© THOMAS REGOUT INTERNATIONAL BV, Industrieweg 40, 6219 NR, Maastricht, The Netherlands, +31 (0)43 351 66 66 All rights are reserved.					

Re	Date	Description	Designer
3	30-01-2014	Slide changed because redesign Softclose (point13002.doc)	MP
2	21-9-2010	Softclose geupdate	RG
1	25-2-2010	Stopsystem changed conform version 02-2010	Jo.B