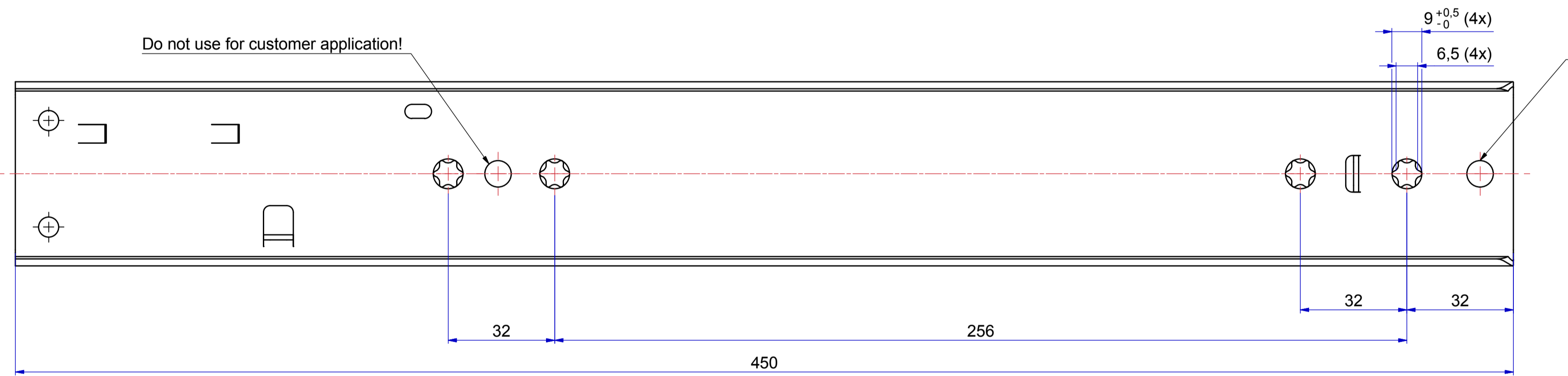
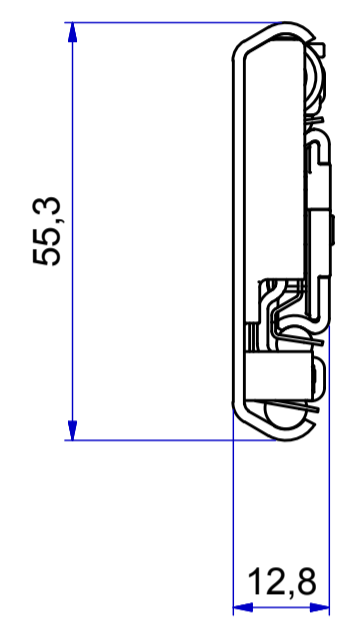
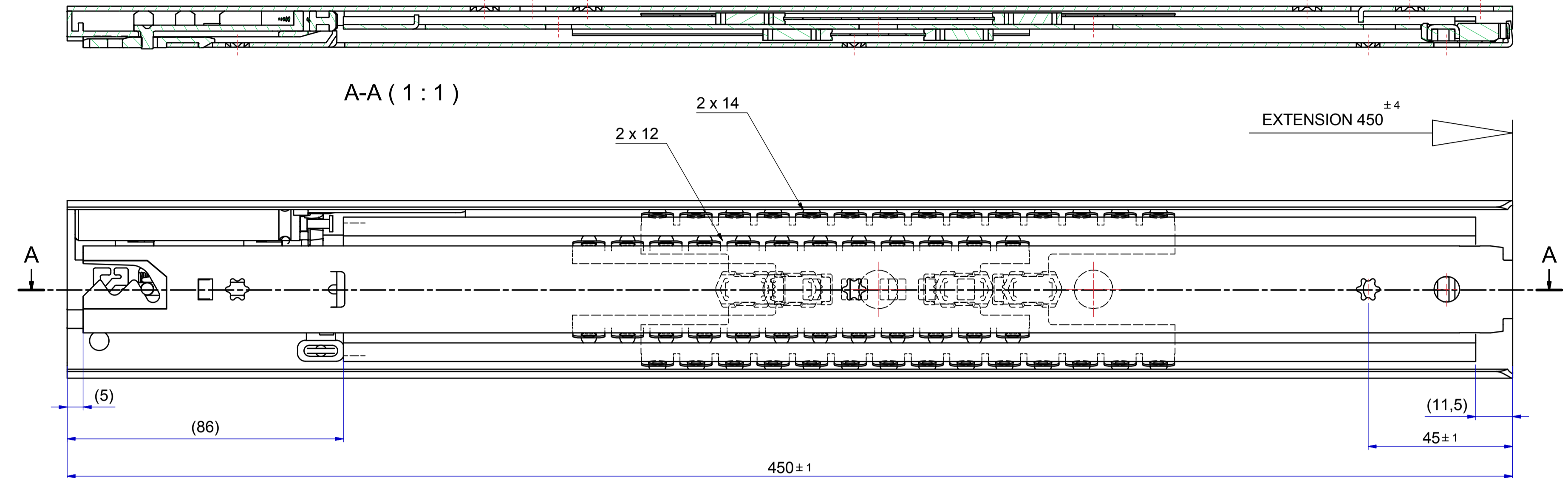
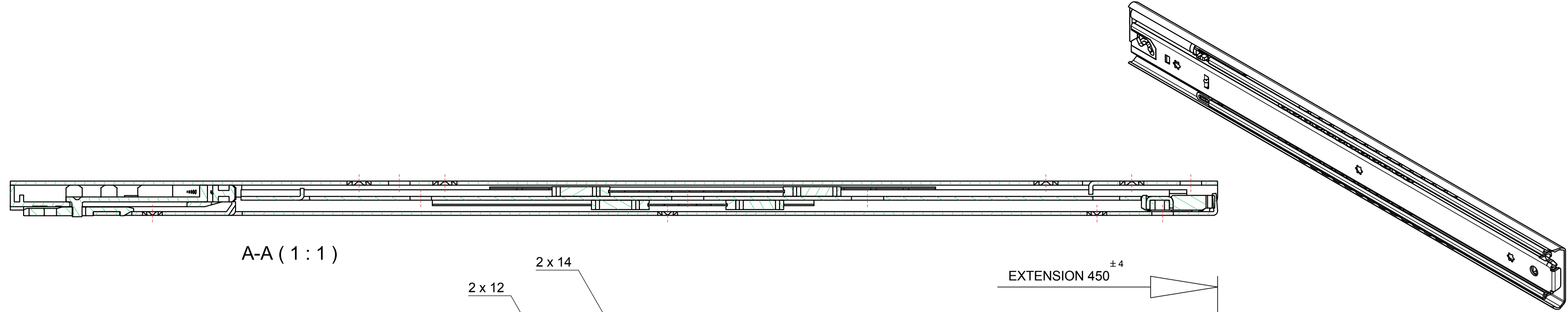
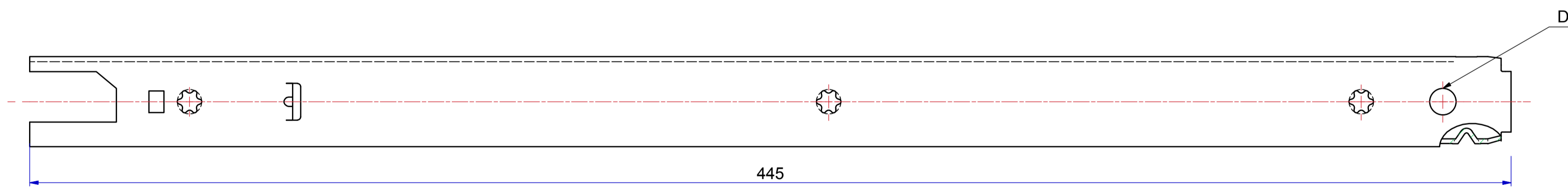


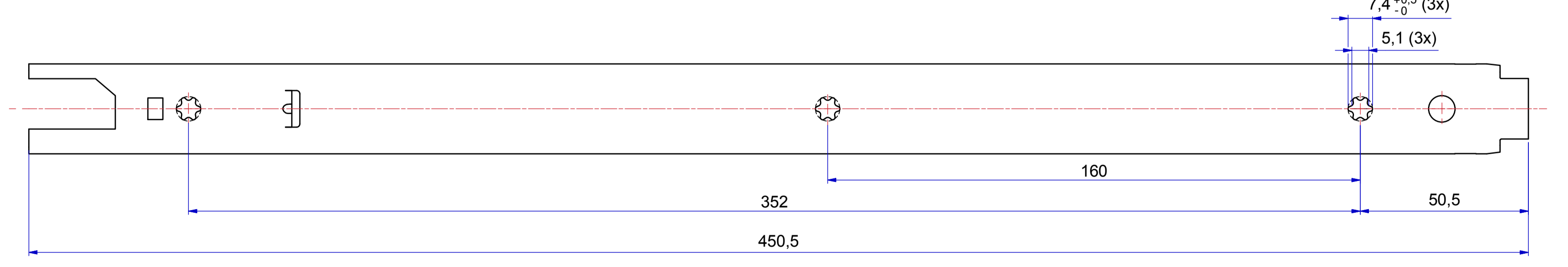
T 1 - 2 = 184,8 mm
T 2 - 3 = 265,2 mm



511-03-R94-SA1



513-03-R94-SA3



PRODUCTION

Right hand slide = Left hand slide.

Dimensions between marks are guide dimensions.

Thomas Regout Int. B.V. reserves the right to alter non-customer specific specifications without notice.

Designer	M. Mahieu	Gen.Tol.Dim.	± 0,5	Third angle projection	Material
Date	23-08-2010	Gen.Tol.Angle	± 0,5		Treatment
Approver		Gen.Roughness	Ra		Draw type
Date		Units	mm/deg.	Scale	1 : 1
Description				Type	Model No. E000017677
SOLAR 450.0 / 450.0 (12,8mm)				Released for Production	
Format	A1			Item No.	103-R94
Revision	02	© THOMAS REGOUT INTERNATIONAL BV, Industrieweg 40, 6219 NR, Maastricht, The Netherlands, +31 (0)43 351 66 66 All rights are reserved.			

Re	Date	Description	Designer
2	30-01-2014	Slide changed because redesign Softclose (point13002.doc)	MP
1	1-3-2010	Stopsystem changed conform version 02-2010	Jo.B