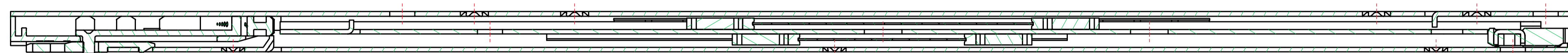
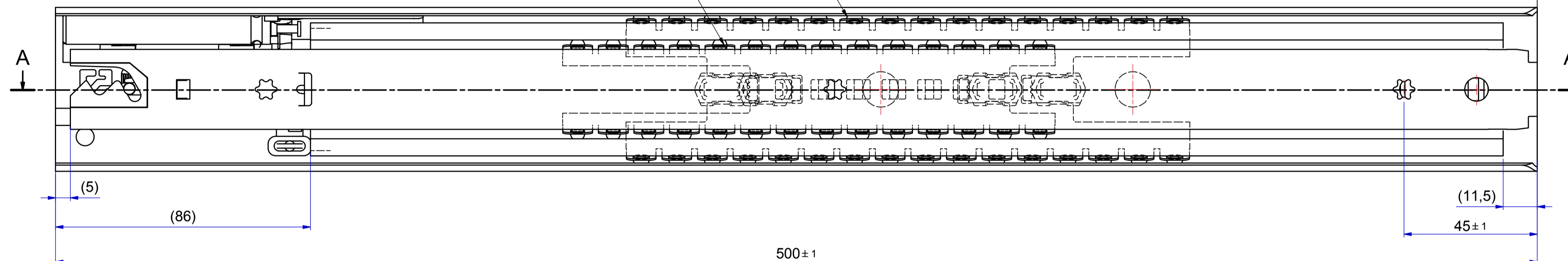
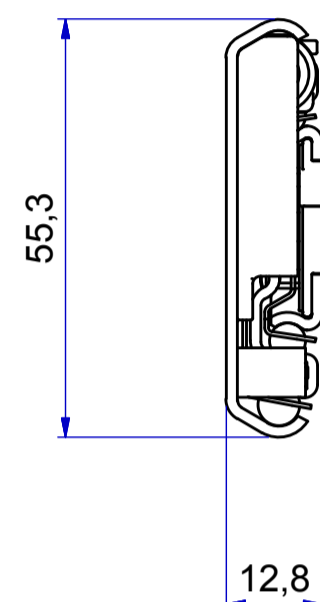


T 1-2 = 212,5
T 2-3 = 292,5



A-A (1:1)

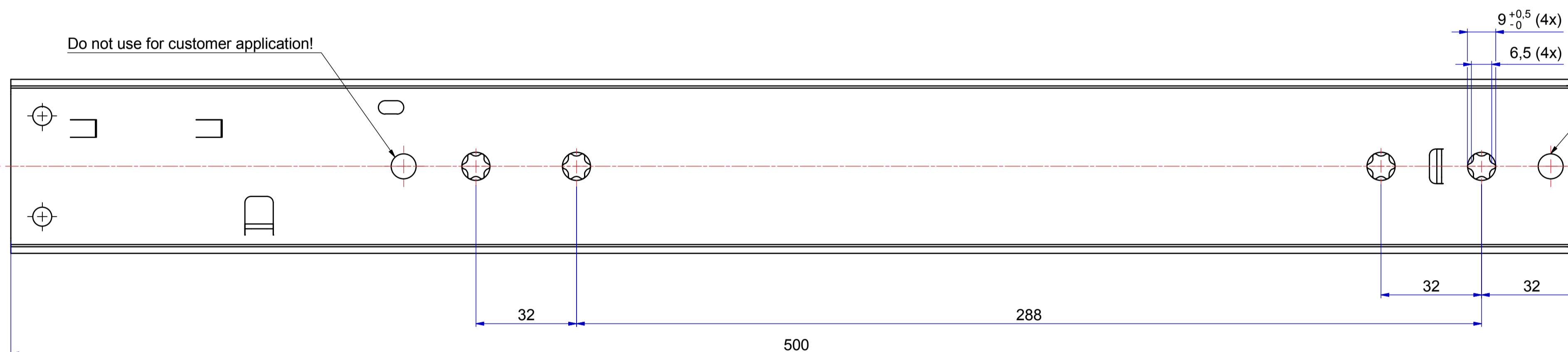
EXTENSION 505 ± 4



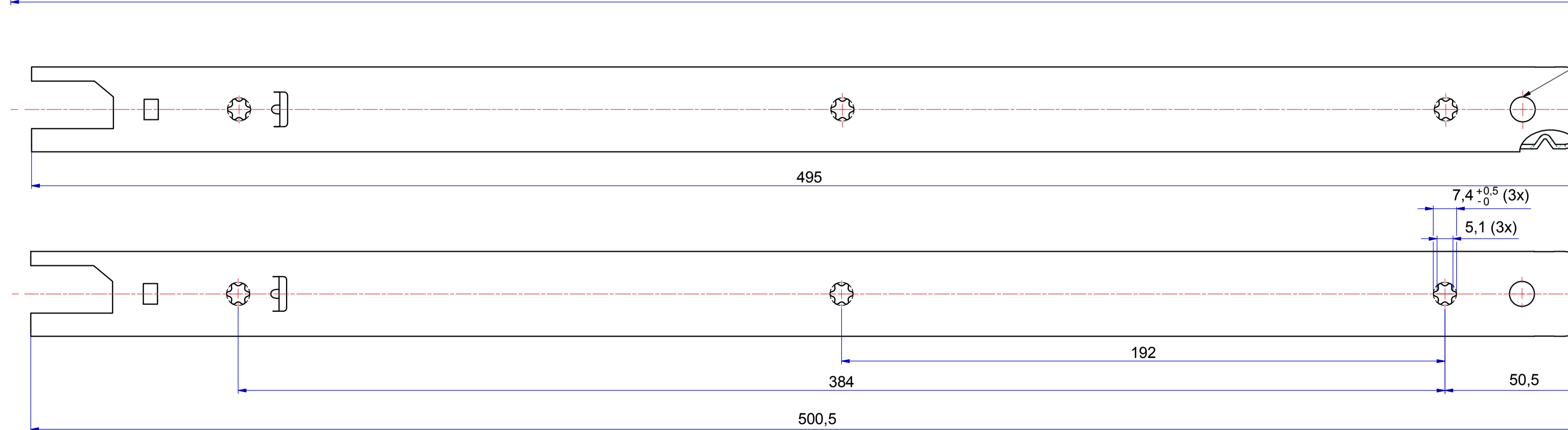
Do not use for customer application!

Do not use for customer application!

511-03-R95-SA1



513-03-R95-SA3



Do not use for customer application!

Right hand slide = Left hand slide.

Dimensions between marks are guide dimensions.

SAMPLE

Thomas Regout Int. B.V. reserves the right to alter non-customer specific specifications without notice.

Designer	M. Mahieu	Gen.Tol.Dim.	± 0.5	Third angle projection	Material
Date	23-08-2010	Gen.Tol.Angle	± 0.5		Treatment
Approver		Gen.Roughness	Ra		Draw type
Date	25-2-2010	Units	mm/deg.	Scale	1 : 1
Description				Type	Model No.

SOLAR 500.0 / 505.0 (12,8mm)				Released for Sample	
Format	A1	Item No.	103-R95	Revision	03
© THOMAS REGOUT INTERNATIONAL BV, Industrieweg 40, 6219 NR, Maastricht, The Netherlands, +31 (0)43 351 66 66 All rights are reserved.					

Re	Date	Description	Designer
3	23-01-2014	Slide changed because redesign Softclose (point13002.doc)	MP
2	23-8-2010	Stopsystem updated	MM
1	25-2-2010	Stopsystem changed conform version 02-2010	Jo B