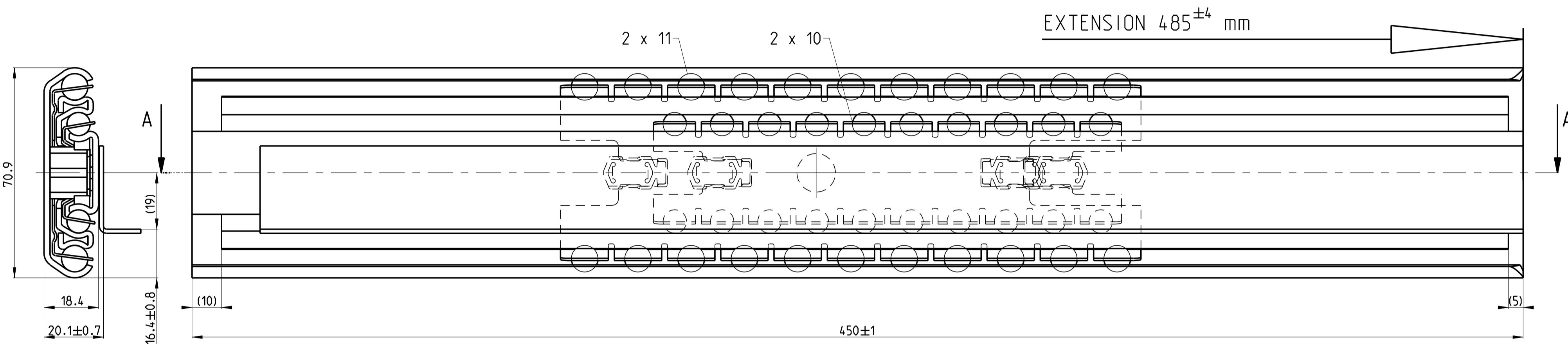
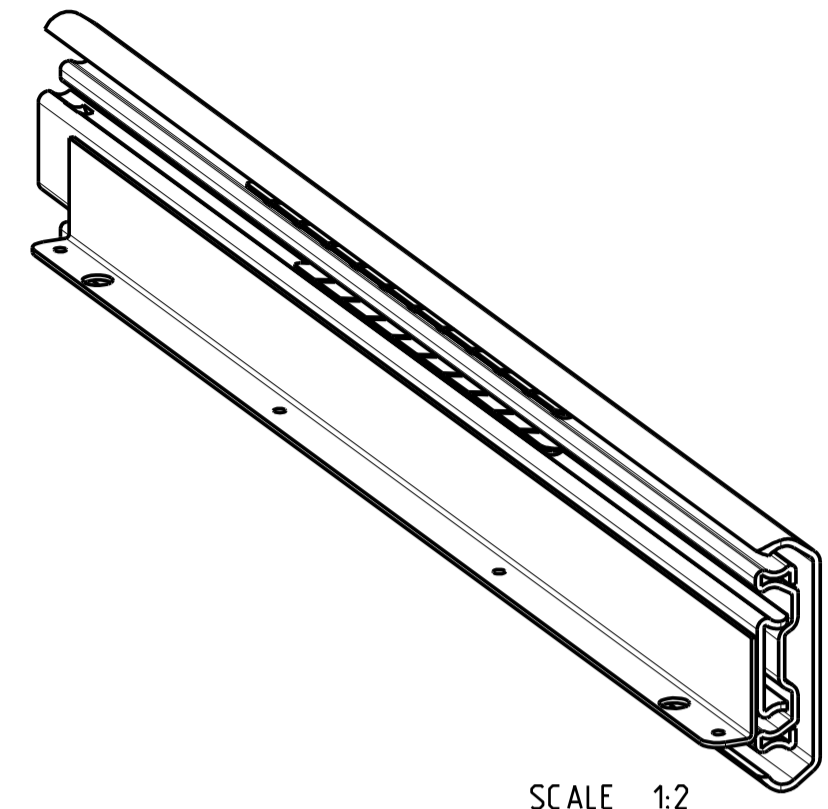
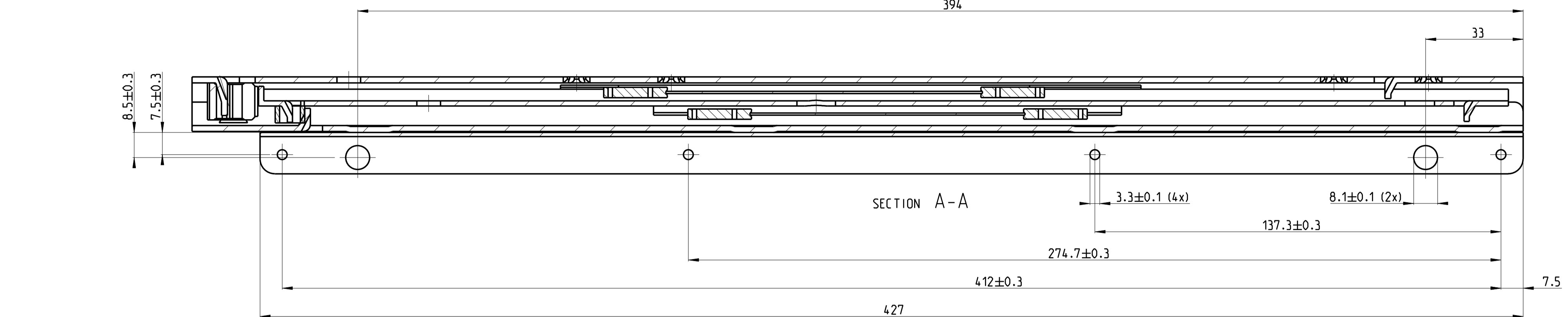
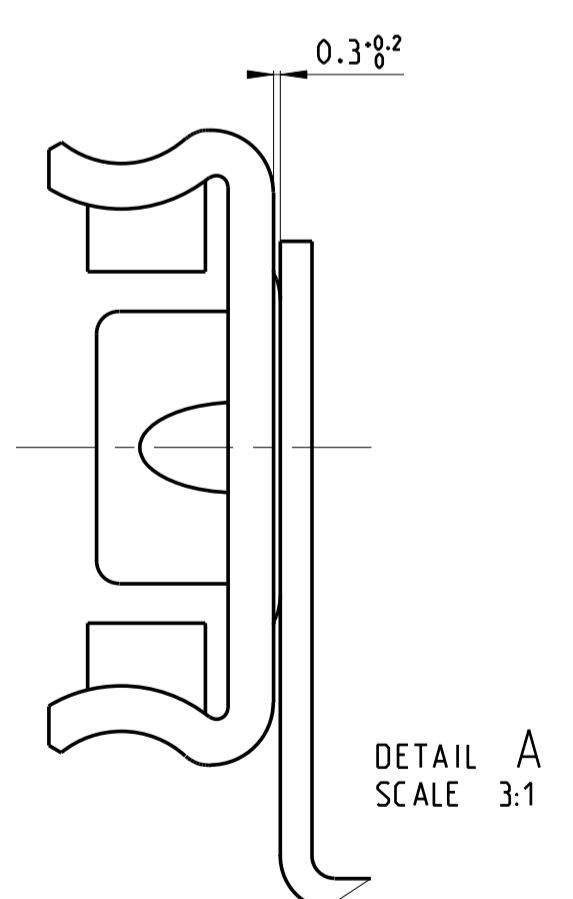
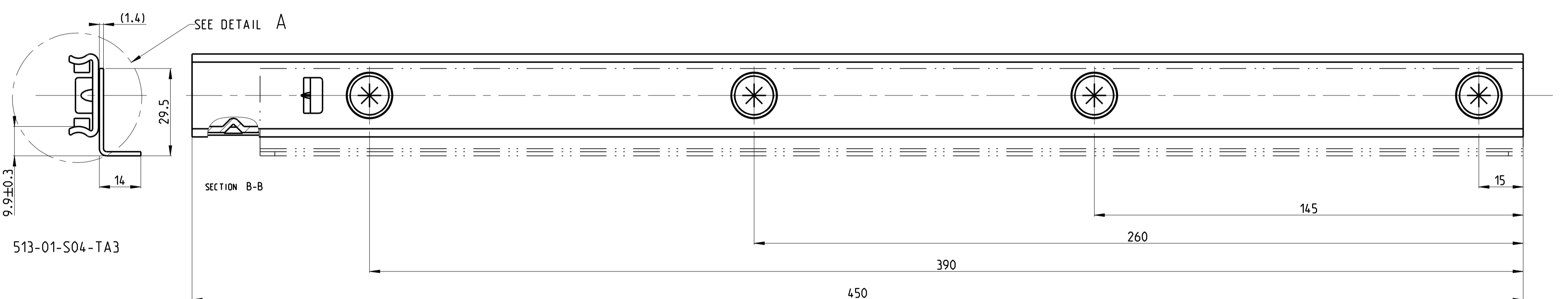
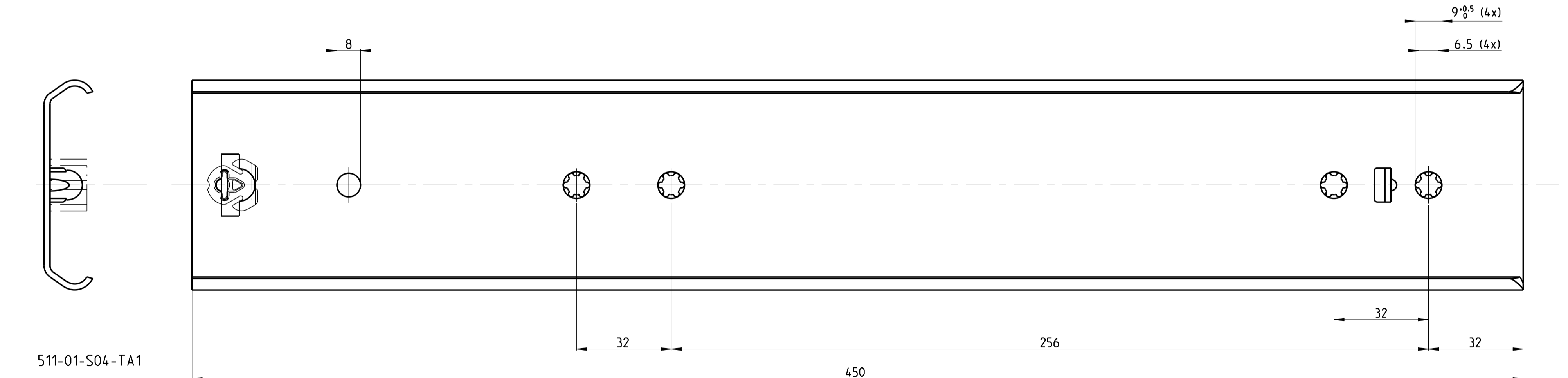


1 2 3 4 5 6 7 8 9 10 11 12 13 14 15 16 17 18 19 20

T 1-2 = 230.0  
T 2-3 = 255.0



FRONT



|   |           |   |         |  |         |
|---|-----------|---|---------|--|---------|
| PRO/ENGINEER Drawing                                      |           | Dimensions between marks are guide dimensions. Tolerances unless otherwise stated ±0.5mm. |         | Thomas Regout Int. B.V. reserves the right to alter non-customer specific specifications without notice. |         |
| Was: -  |           |   |         |  |         |
| American projection                                       | DIMENSION | mm  | MAT.: - | REM.: RIGHT HAND SLIDE IS SHOWN PART.<br>LEFT HAND SLIDE IS OPPOSITE PART.<br>TYPE B                     |         |
|   | SCALE     | 1:1   |         |  |         |
|   | DATE      | 21-09-2011  |         |  |         |
|   | DESIGNER  | R. Groen  |         |  |         |
|   | CHECKED   | -   |         |  |         |
| TITAN 450.0 / 485.0 (18.5mm)                              |           |   |         |  |         |
| THOMAS REGOUT INTERNATIONAL BV                            |           |   |         | Drw. Nr.   | Format. |
| © Thomas Regout International BV All rights are reserved. |           |   |         | 101-S04 _ 00   | A1      |
|   |           |   |         | Production   |         |

|    |   |   |    |   |   |    |   |   |   |   |
|----|---|---|----|---|---|----|---|---|---|---|
| 04 | - | - | 05 | - | - | 06 | - | - | - | - |
| 01 | - | - | 02 | - | - | 03 | - | - | - | - |