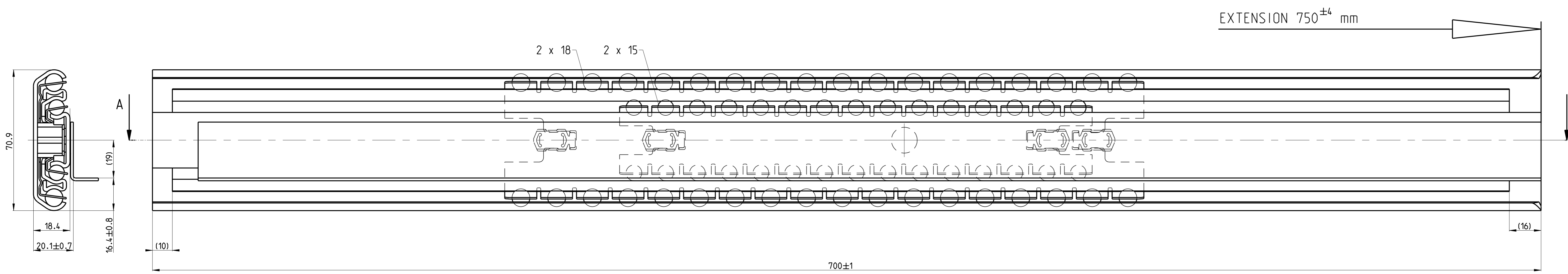
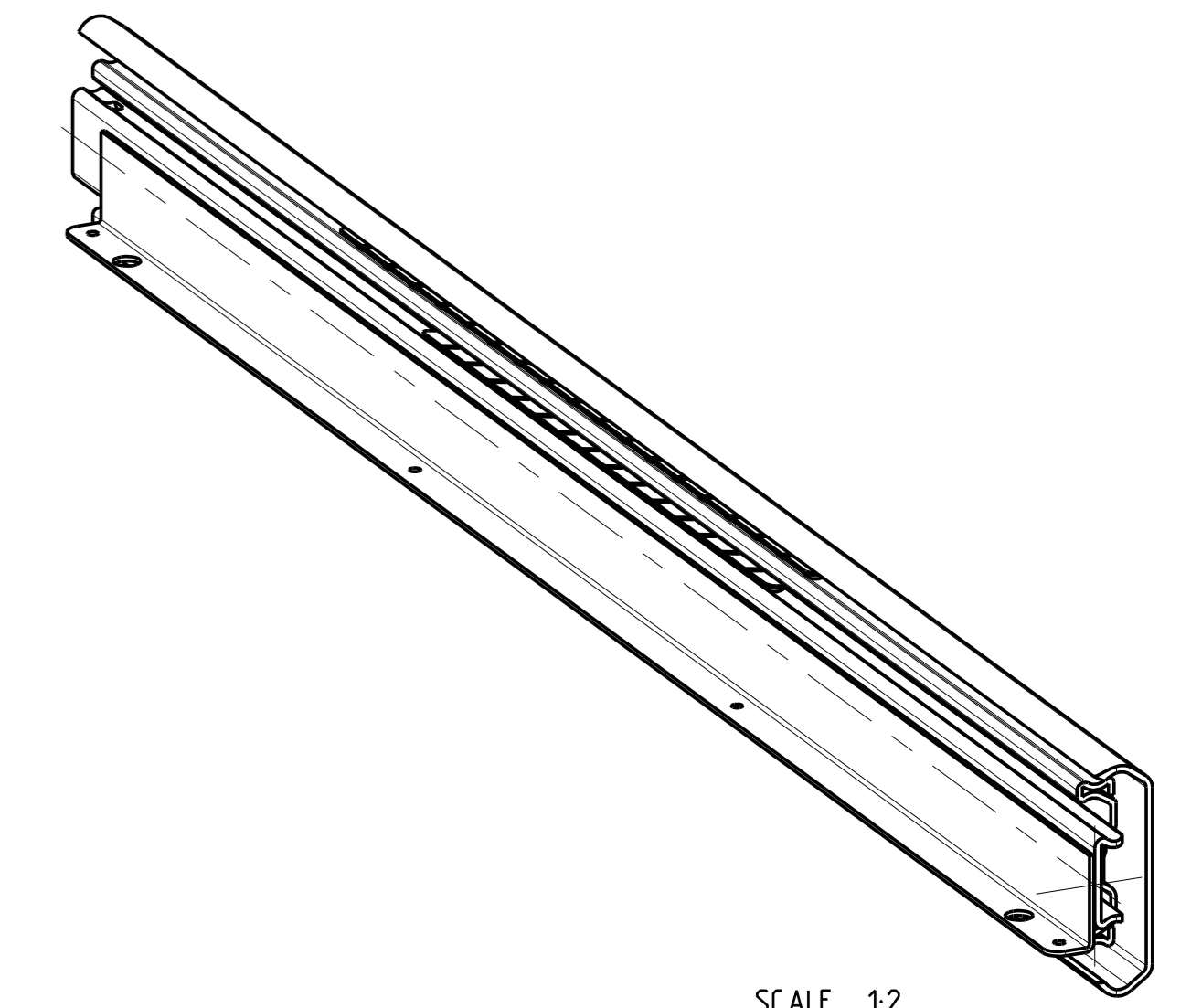
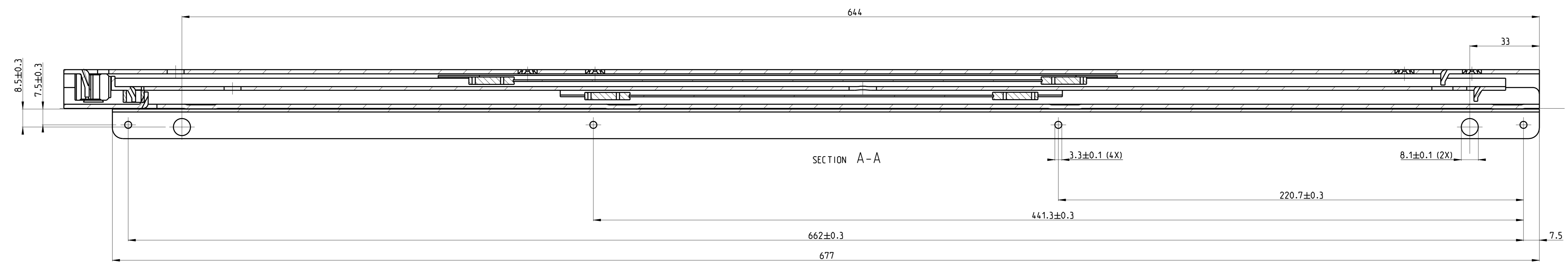
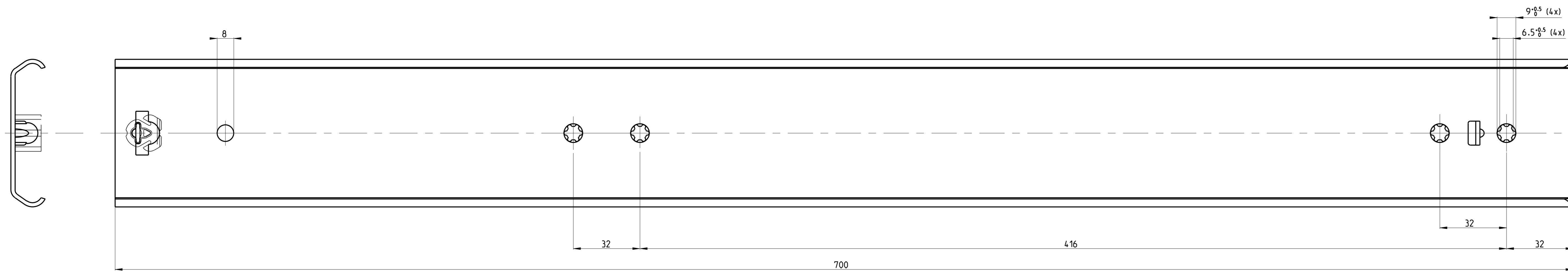


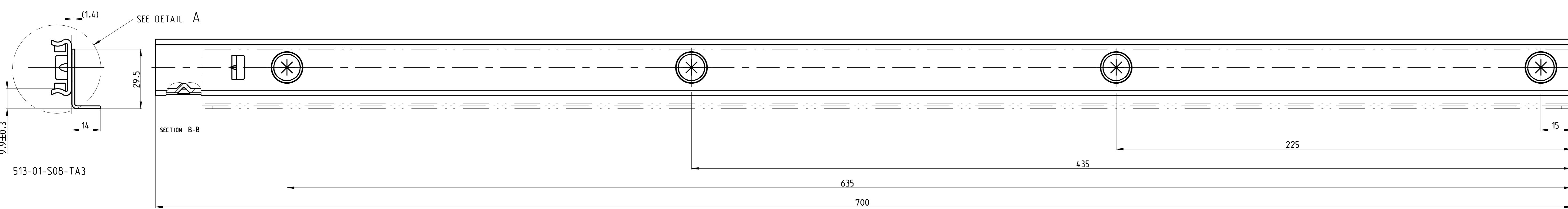
T 1-2 = 336.0
T 2-3 = 414.0



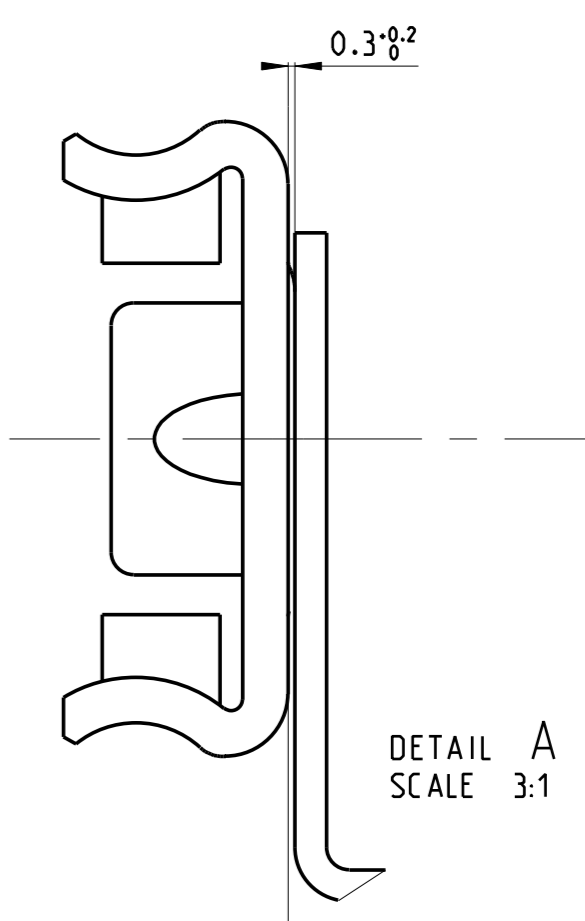
FRONT



511-01-S08-TA1



513-01-S08-TA3



PRO/ENGINEER Drawing	Dimensions between marks are guide dimensions. Tolerances unless otherwise stated ±0.5mm.	Thomas Regout Int. B.V. reserves the right to alter non-customer specific specifications without notice.
American projection	DIMENSION mm	MAT. -
	SCALE 1:1	REM.: RIGHT HAND SLIDE IS SHOWN PART.
	DATE 03-10-2011	LEFT HAND SLIDE IS OPPOSITE PART.
	DESIGNER R. Groen	
	CHECKED -	TYPE B
TITAN 700.0 / 750.0 (18.5mm)		
THOMAS REGOUT INTERNATIONAL BV		Draw. Nr. 101-S08_00
Thomas Regout International BV All rights are reserved.		Format. A0
Production		