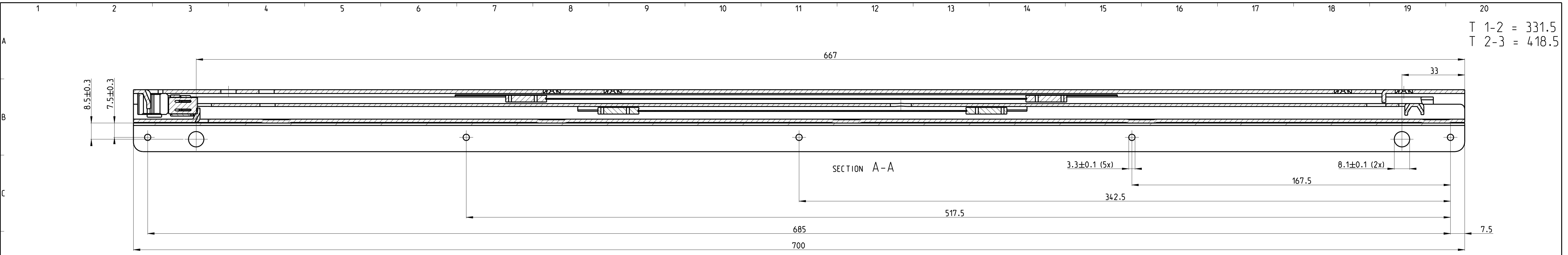
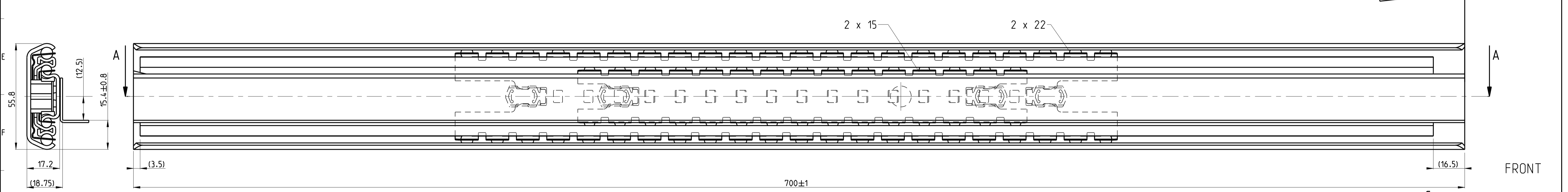


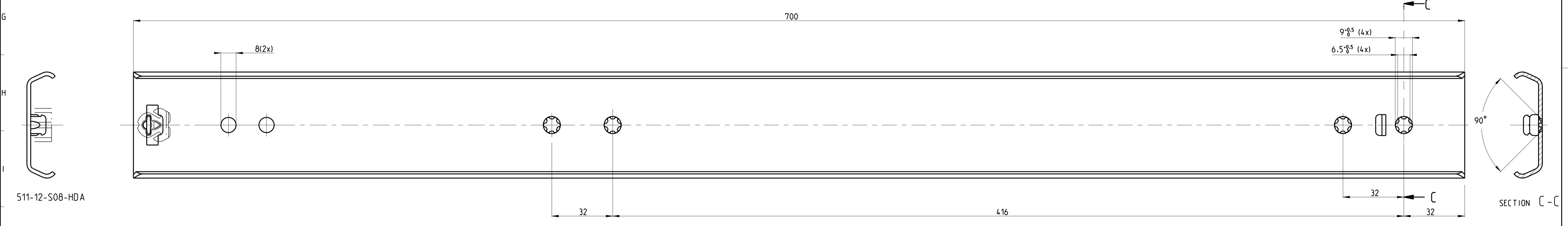
T 1-2 = 331.5
T 2-3 = 418.5



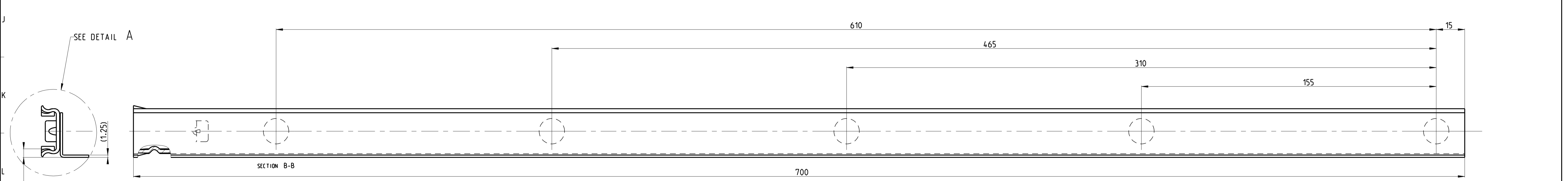
EXTENSION 750^{±4} mm



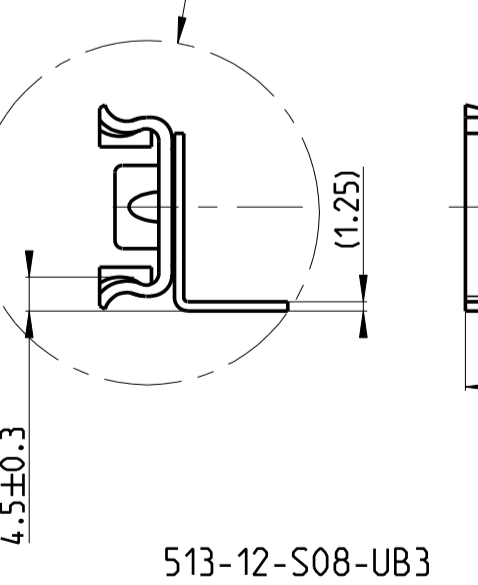
FRONT



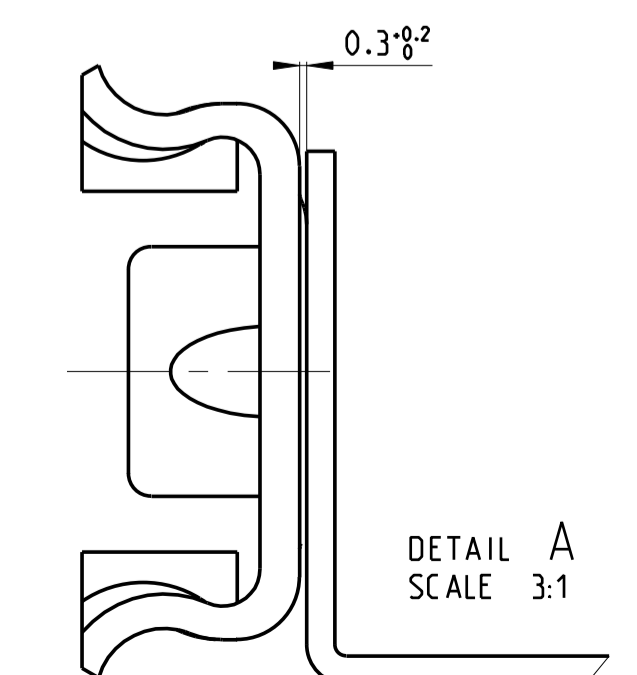
SECTION C-C



SEE DETAIL A



513-12-S08-UB3



PRO/ENGINEER Drawing Was: - 102-552-00		Dimensions between marks are guide dimensions. Tolerances unless otherwise stated ±0.5mm.		Thomas Regout Int. B.V. reserves the right to alter non-customer specific specifications without notice.	
American projection	DIMENSION	mm	MAT.:	-	
	SCALE	1:1	REM.:	RIGHT HAND SLIDE IS SHOWN PART	
	DATE	01-09-2011		LEFT HAND SLIDE IS OPPOSITE PART	
	DESIGNER	M. Lamkin		TYPE B	
	CHECKED	-			
ULF HD 700.0 / 750.0 (17.2mm)					
THOMAS REGOUT INTERNATIONAL BV			Drw. Nr.	112-S08 _ 00	Format. A1
© Thomas Regout International BV All rights are reserved.					Production

04	-	-	05	-	-	-	-	06	-	-	-	-
01	-	-	02	-	-	-	-	03	-	-	-	-