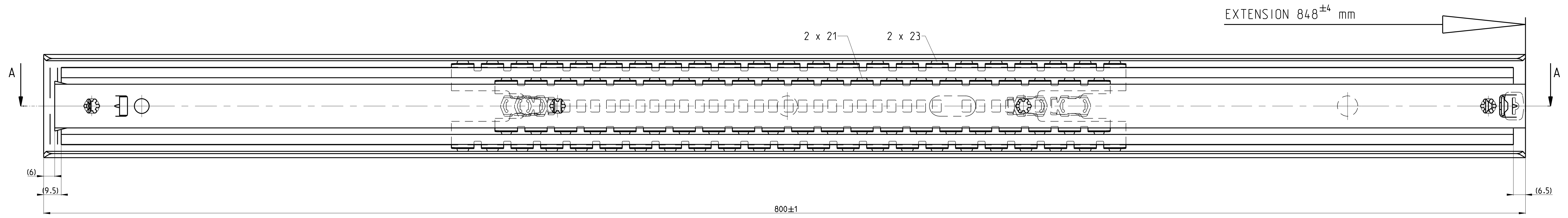
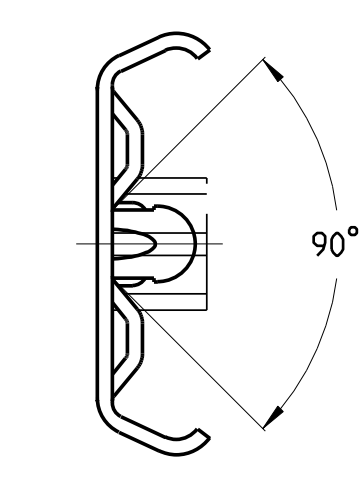
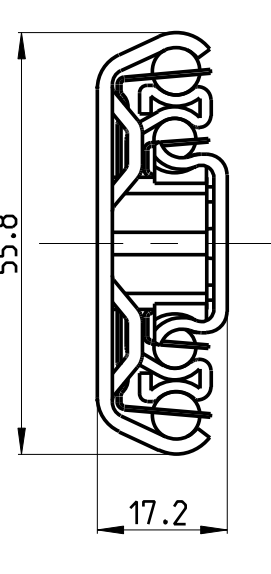
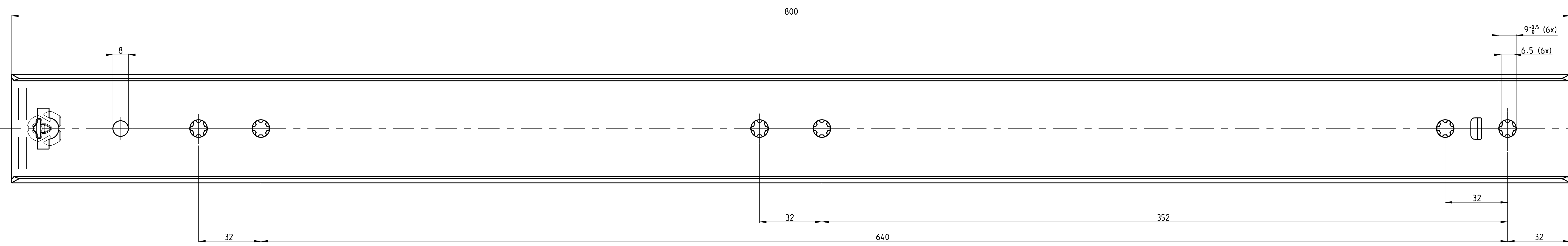


SECTION A-A

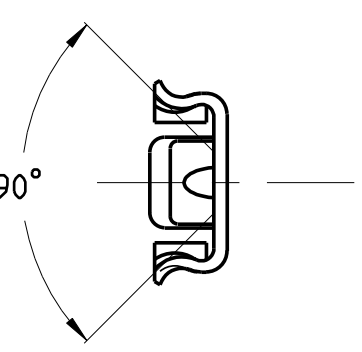
T 1-2 = 421.5
T 2-3 = 426.5



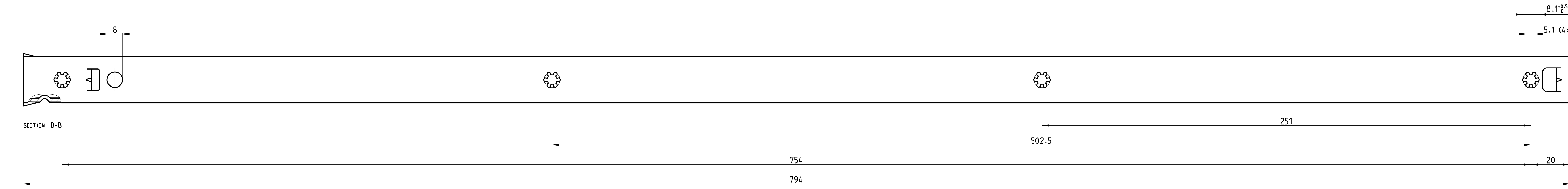
FRONT



511-12-S29-HDA



513-12-S29-UB3



SECTION B-B

PRO/ENGINEER Drawing		Dimensions between marks are guide dimensions. Tolerances unless otherwise stated ±0.5mm.		Thomas Regout Int. B.V. reserves the right to alter non-customer specific specifications without notice.	
American projection	DIMENSION	mm	MAT.	-	
	SCALE	1:1	REM.	RIGHT HAND SLIDE = LEFT HAND SLIDE	
	DATE	22-02-2011			
	DESIGNER	R. Groen			
	CHECKED	-		TYPE D	
ULF HD 800,0 / 848,0 (17,2mm)					
THOMAS REGOUT INTERNATIONAL BV			Draw. Nr.	112-S29 _ 00	Format. A0
Thomas Regout International BV All rights are reserved.				Production	