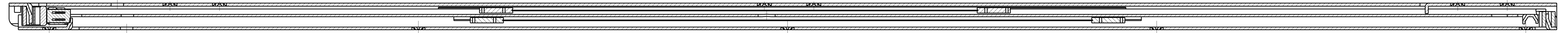


1 2 3 4 5 6 7 8 9 10 11 12 13 14 15 16 17 18 19 20 21 22 23 24 25 26 27 28 29

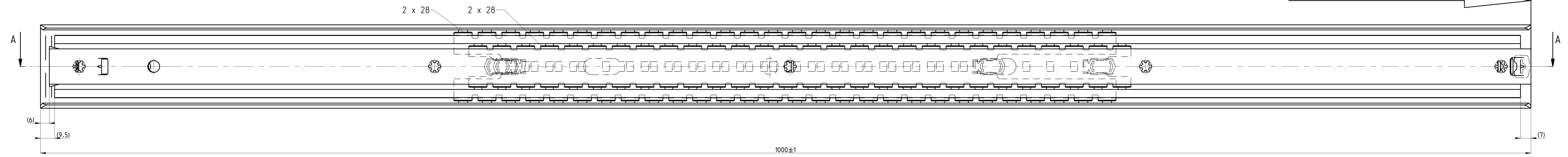
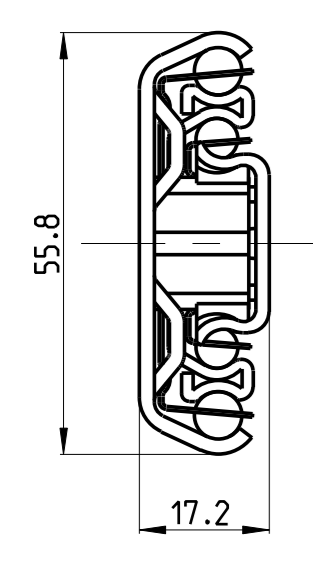
A
B
C
D
E
F
G
H
I
J
K
L
M
N
O
P
Q
R
S
T



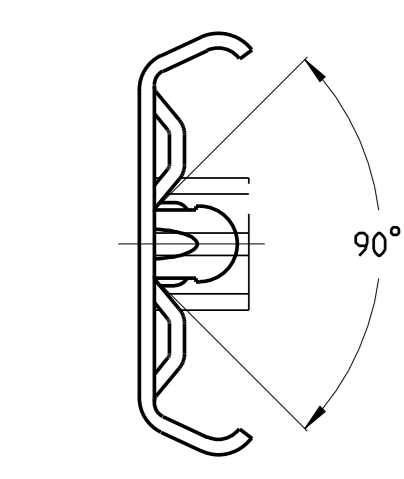
SECTION A-A

T 1-2 = 536.0
T 2-3 = 514.0

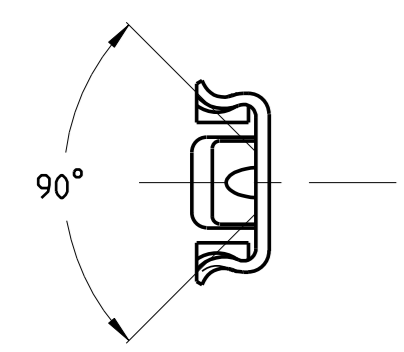
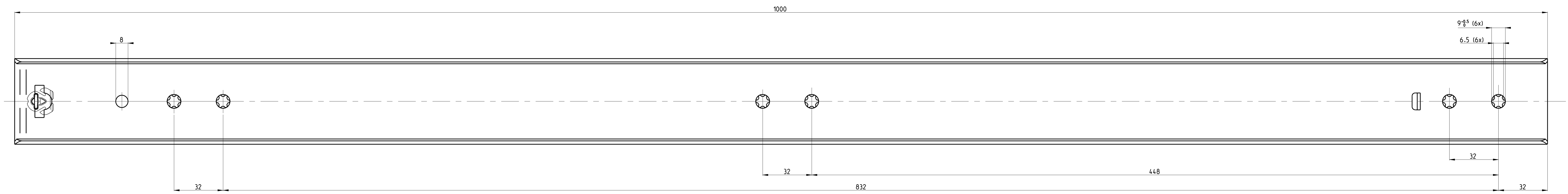
EXTENSION 1050^{±4} mm



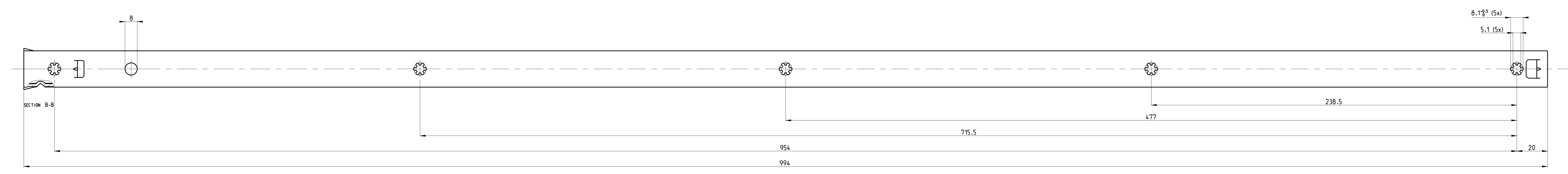
FRONT



511-12-S31-HDA



513-12-S31-UB3



PRO/ENGINEER Drawing Was: - 112-113-00	Dimensions between marks are guide dimensions. Tolerances unless otherwise stated ±0.5mm.	Thomas Regout Int. B.V. reserves the right to alter non-customer specific specifications without notice.
American projection	DIMENSION mm	MAT.: -
SCALE 1:1	DATE 03-10-2011	REM.: RIGHT HAND SLIDE = LEFT HAND SLIDE
DESIGNER M. Mahieu	CHECKED -	Type D
ULF HD 1000,0 / 1050,0 (17.2mm)		
THOMAS REGOUT INTERNATIONAL BV		Draw. Nr. 112-S31_00
Thomas Regout International BV All rights are reserved.		Format: A0 Production