

# Overflow Valves

## Type 06198



**Overflow Valve, angle type, bronze, not type tested**

with adjusting device,  
with soft valve seal, closed bonnet,  
In- and outlet: female thread type G (BSPP) acc. to ISO 228/1

**Part No. 06198.X.0000**

with PTFE valve seal  
Working temperature: -10°C / +14°F (263K) up to +185°C / +365°F (458K)

**Part No. 06198.X.0700**

with FPM valve seal  
Working temperature: -10°C / +14°F (263K) up to +165°C / +329°F (438K)

Available options - on request only:

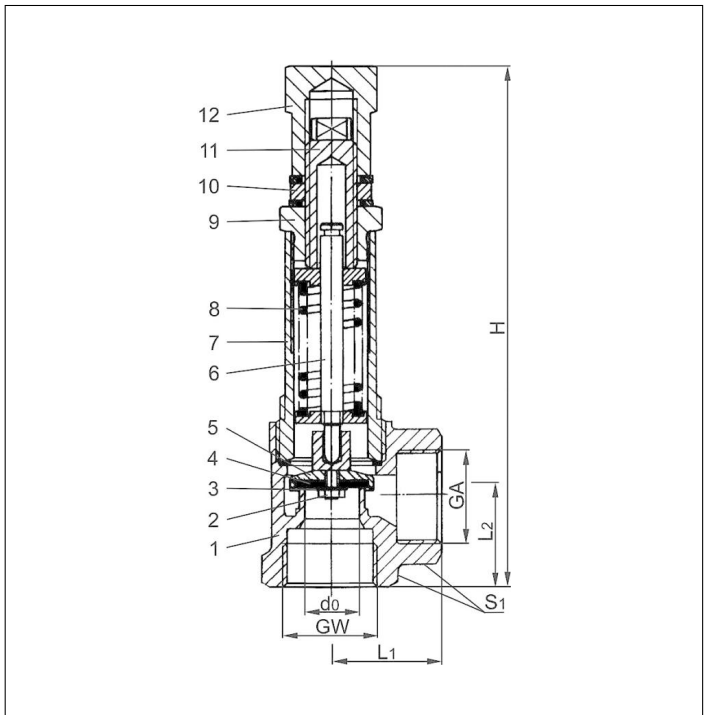
- other spring ranges acc. to customer specification
- stainless steel spring - material 1.4571
- external parts nickel plated

**Applications:**

Provided as overflow valve for protection against excessive pressure in pipe systems and pressure vessels, which are not subject to approval.



Materials	DIN EN	ASTM
1 Body	CC491K	B 62 UNS C83600
2 Disc nut	CW614N	B 249 UNS C38500
3 Plate	CW614N	B 249 UNS C38500
4 Valve seal	PTFE or FPM	
5 Disc	CW614N	B 249 UNS C38500
6 Stem	CW614N	B 249 UNS C38500
7 Bonnet	CW614N	B 249 UNS C38500
8 Spring	1.1200	A 227
9 Cap	CW614N	B 249 UNS C38500
10 Nut	CW614N	B 249 UNS C38500
11 Adjusting screw	CW614N	B 249 UNS C38500
12 Closing cap	CW614N	B 249 UNS C38500



**Important:** Adjusting ranges of springs are marked with a label on the bonnet.

Not to use as equipment with safety function acc. to Pressure Equipment Directive 2014/68/EU (PED) (No CE marking).



Type 06198	Technical data			
<b>Nominal size</b>	<b>GW</b>	<b>1/2</b>	<b>3/4</b>	<b>1</b>
Orifice	d <sub>0</sub>	12	15	18
Dimension code	.X.	0400	0600	1000
Set pressure PTFE valve seal	bar	12.0-25	2.0-25	2.0-25
Set pressure FPM valve seal	bar	0.8-25	0.1-12	5.0-12
Outlet	GA	1/2	3/4	1
Height	H	113	145	165
Length	L <sub>1</sub>	25	30	36
Length	L <sub>2</sub>	20	25	30
Wrench size across flats	S <sub>1</sub>	27	32	41
Weight	ca. kg	0.30	0.55	0.85

Dimensions in mm.

# Overflow Valves

## Type 06198



### Discharge capacities

Calculation of flow rate acc. to AD2000-Merkblatt A2

Medium:

Air in m<sup>3</sup>/h at 0°C and 1013.25 mbar

**The capacity indicated below is for a fully opened valve.**

d<sub>0</sub> - orifice

A<sub>0</sub> - flow area

Set pressure in bar (g)	GW	1/2	3/4	1
	d <sub>0</sub> (mm)	12.0	15.0	18.0
	A <sub>0</sub> (mm <sup>2</sup> )	113.1	176.7	254.5
Medium		Air		
0.8		24	-	-
1.0		26	-	-
1.5		33	-	-
1.99		40	-	-
2.0		37	46	13
3.0		50	62	28
3.99		63	77	45
4.0		53	77	45
4.99		64	93	68
5.0		64	70	68
6.0		75	82	93
7.0		86	94	128
8.0		97	106	161
9.0		108	118	197
10.0		119	129	245
11.99		141	153	335
12.0		169	119	335
14.0		195	138	397
16.0		222	156	460
18.0		248	175	527
19.99		274	193	597
20.0		274	193	446
22.0		300	212	489
22.99		313	221	502
23.0		313	221	502
25.0		340	240	553

GW	1/2	3/4	1
<b>Part No. spring Material 1.1200</b>	<b>Pressure range of springs in bar</b>		
55341.0091.2780	0.8-1.99	-	-
55341.0092.2780	2.0-3.99	-	-
55341.0152.1780	4.0-11.99	-	-
55341.0193.2780	12.0-25.0	-	-
55341.0212.0780	-	0.1-2.6	-
55341.0194.1780	-	2.0-4.99	-
55341.0078.0780	-	5.0-11.99	-
55341.0104.1780	-	12.0-22.99	-
55341.0196.1780	-	23.0-25.0	-
55341.0217.0780	-	-	2.0-19.99
55341.0199.1780	-	-	20.0-25.0

GW	1/2	3/4	1
<b>Part No. spring Material 1.4571</b>	<b>Pressure range of springs in bar</b>		
55345.0117.1767	-	-	2.0-3.99
55345.0119.1767	-	-	4.0-9.99
55345.0234.1767	-	-	10.0-15.99
55345.0236.1767	-	-	16.0-25.0