

Changeover Valves

Type 06510 - Diverter Valve



Cryogenic Diverter Valves, bronze, PN50
for the installation of two safety valves,
provided for bursting disc connections,
"cleaned and degreased for oxygen service"

Part No. 06510.X.0000

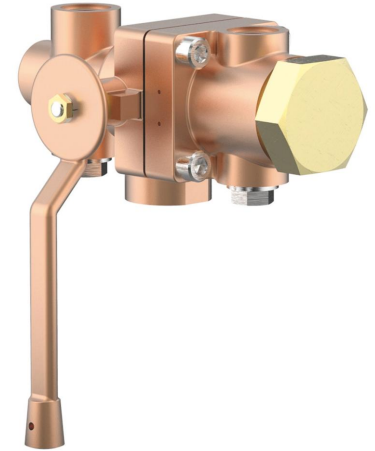
Female thread connection (G) acc. to ISO 228/1

Part No. 06510.X.6***

Female thread connection NPT acc. to ANSI B 1.20.1

Available Options - on request only:

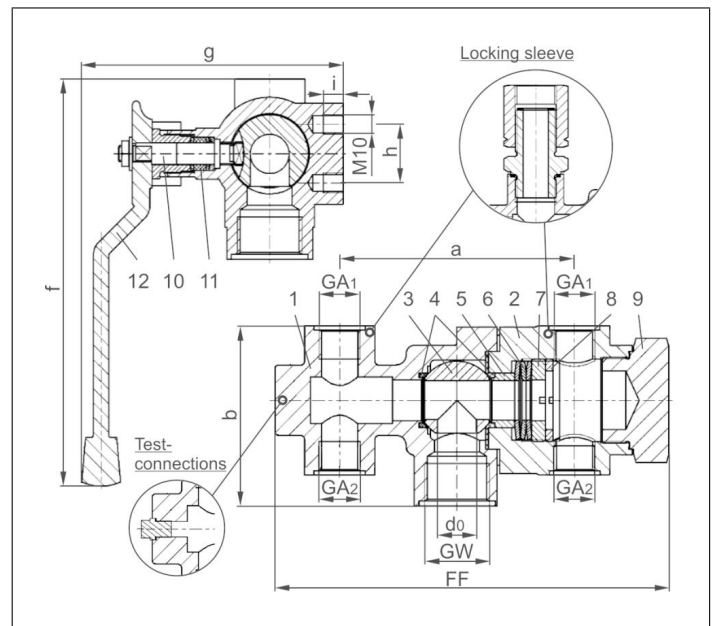
- Two extra test connections 1/4" edgeways
- Inlet: female thread (GW) 3/4"
- Outlet GA₁ with installed locking sleeve for easy positioning of safety valves
- Combination of different outlet threads GA₁ - GA₂
- **Safety lock (Part No. 55394.0043.0765)**



Applications:

Approved for air gases, vapours and cryogenic liquefied gases incl. LNG.
Working temperature: -196°C / -321°F (77K) up to +120°C / +248°F (393K)

| Materials | DIN EN | ASTM |
|------------------|-----------------|-------------------|
| 1 Body I | CC491K | B 62 UNS C83600 |
| 2 Body II | CC491K | B 62 UNS C83600 |
| 3 Ball | 1.4571 | A 276 Grade 316Ti |
| 4 Seat rings | PCTFE | |
| 5 Bush | CW614N | B 283 UNS C38500 |
| 6 Spring plates | 1.4571 | A 313 Grade 316Ti |
| 7 Spring clamp | CW614N | B 283 UNS C38500 |
| 8 Thread ring | CW614N | B 283 UNS C38500 |
| 9 Plug | CW614N | B 283 UNS C38500 |
| 10 Stem | 1.4301 | A 276 Grade 304 |
| 11 Gland packing | Graphite / PTFE | |
| 12 Lever | CC491K | B 62 UNS C83600 |



| Type 06510 - Standard design | Technical Data | | |
|------------------------------|-------------------|------|------|
| Nominal Size | DN | 20 | 20 |
| Dimension code | .X. | 2004 | 2006 |
| Flow diameter | d ₀ | 20 | 20 |
| Inlet | GW | 1 | 1 |
| Outlet | GA ₁ | 1/2 | 3/4 |
| Outlet | GA ₂ | 1/2 | 1/2 |
| Face-to-face dimension | FF | 201 | 201 |
| Length | a | 120 | 120 |
| Height | b | 92 | 92 |
| Length | f | 208 | 208 |
| Length | g | 134 | 134 |
| Length | h | 30 | 30 |
| Thread depth | i | 10 | 10 |
| Weight | ca. kg | 4.8 | 4.7 |
| Kvs - Value, one side open | m ³ /h | 7.7 | 7.7 |
| Cv - Value, one side open | gal /min | 9.2 | 9.2 |

Dimensions in mm.

Important:

The valves must be fixed at the provided threads M10.