

Pressure reducing Valves

Type 08023



Pressure Reducing Valves

Bronze body, with balanced single seat valve,
disc made of bronze with EPDM seal, pressure gauge connection G1/4,
inlet pressure: up to max. 25.0 bar
outlet pressure: 1.0 up to 8.0 bar

Part No. 08023.X.0000

Union connections with male thread (G) acc. to ISO 228-1



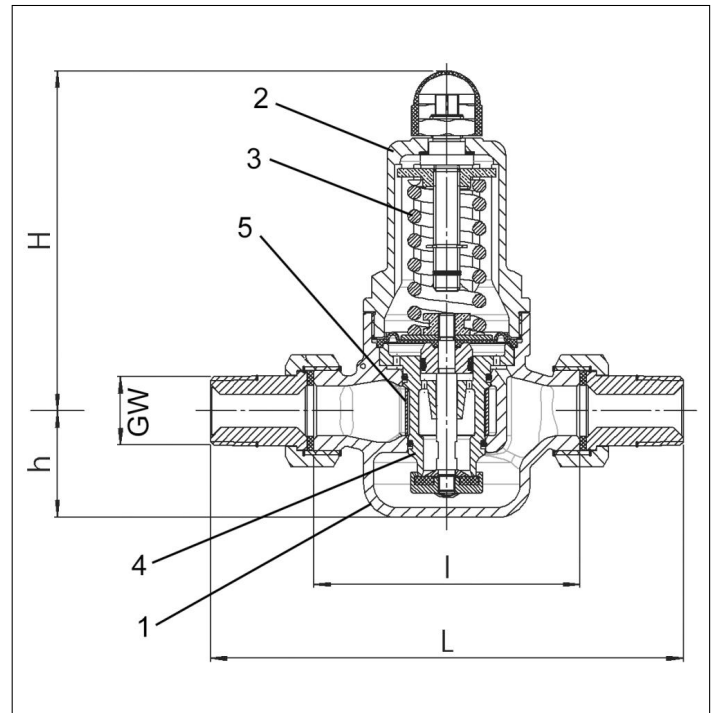
Applications:

Suitable for water, non-viscous liquids, compressed air,
and similar non-inflammable, non-toxic gases.

Working temperature: -10°C / +14°F (263K) up to +95°C / +203°F (368K)

Materials	DIN EN	ASTM
1 Body	CC499K	CC499K
2 Bonnet	CC499K	CC499K
3 Spring	1.1200	A 228
4 Inner parts	CC499K	CC499K
5 Screen	1.4404	A 316L

Essential: When ordering or requesting an offer please indicate flow medium, working pressure and working temperature.



Type 08023	Technical data						
Nominal size	GW	1/2	3/4	1	1-1/4	1-1/2	2
Dimension code	.X.	0400	0600	1000	1200	1400	2000
Face-to-face dimension	L	142	158	180	193	226	252
Body length	l	80	90	100	105	130	148
Height	h	33	33	45	45	70	70
Height	H	102	102	130	130	165	165
Weight	ca. kg	1.2	1.3	2.4	2.6	5.5	6.0

Dimensions in mm.