

Gate Valves

Type 09010



Gate Valves, PN16, DIN EN 12288

Bronze body, screwed topwork in brass with gland packing and non rising stem

Part No. 09010.X.0000

Female thread connection (R) acc. to ISO 7-1 Rp



Applications:

Suitable for non-toxic, non-inflammable fluids, gases and vapours.

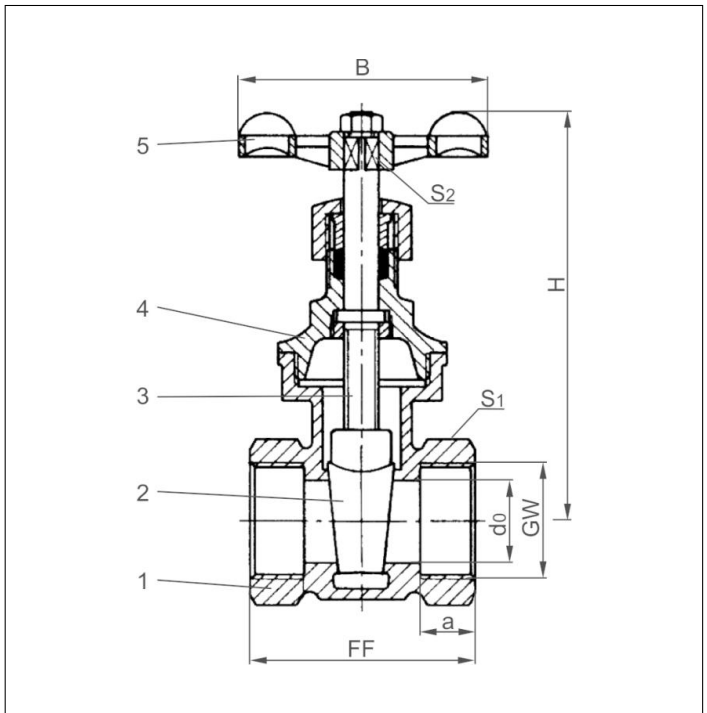
The laws, regulations and standards are to observe for the range of application.

Working temperatures and pressures:

up to max. 16.0 bar: -10°C / +14°F (263K) up to +120°C / +248°F (393K)

up to max. 12.0 bar: -10°C / +14°F (263K) up to +200°C / +392°F (473K)

Materials	DIN EN	ASTM
1 Body	CC491K	B 62 UNS C83600
2 Wedge	CC491K	B 62 UNS C83600
3 Stem	CW614N	B 283 UNS C38500
4 Headpiece	CW614N	B 283 UNS C38500
5 Handwheel	Aluminium - diecasting	



Essential: When ordering or requesting an offer please indicate flow medium, working pressure and working temperature.



Type 09010	Technical data						
Nominal size	GW	1/2	3/4	1	1-1/4	1-1/2	2
Dimension code	.X.	0400	0600	1000	1200	1400	2000
Face-to-face dimension	FF	55	60	68	76	80	93
Height	H	85	105	115	130	150	180
Socket depth	a	15.0	16.3	19.1	21.4	21.4	25.7
Flow diameter	d ₀	12.0	17.5	23.2	29.0	36.0	47.0
Handwheel-Ø	B	60	70	70	80	90	110
Wrench size across flats	S ₁	27	32	41	50	58	70
Wrench size across flats	S ₂	6	7	8	9	9	11
Weight	ca. kg	0.36	0.54	0.82	1.10	1.60	2.40

Dimensions in mm.